



# BRAKE PAD PRIME CERAMIC P83109N

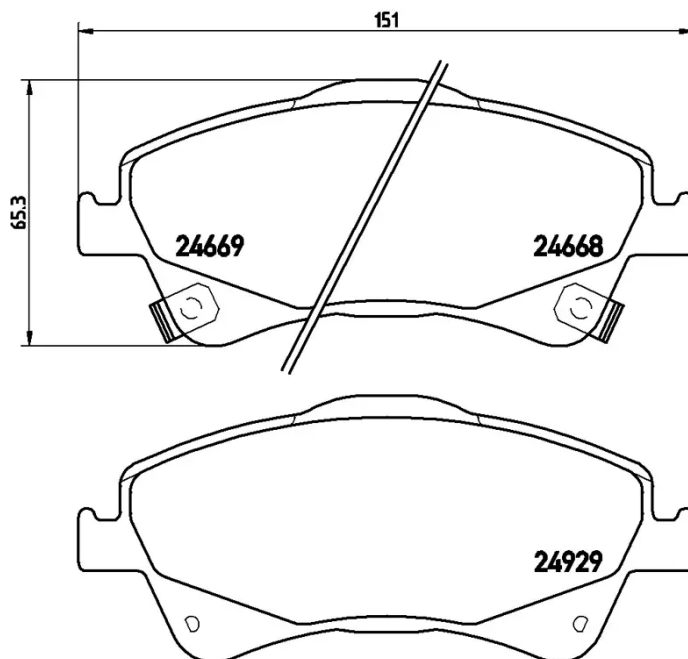
The P83109N NAO brake pad is synonymous with reliability

Brembo NAO brake pads stand out for their ultimate braking comfort, reduced friction wear and low dust mission, which makes for cleaner rims and reduced maintenance requirements. The advanced friction material in keeping with the strictest environmental standards is the main distinguishing feature of NAO compounds.

- ✓ OE-equivalent
- ✓ Brembo quality
- ✓ Safety
- ✓ Comfort
- ✓ Durability
- ✓ Dust reduction
- ✓ With accessories

## Technical specifications

EAN code	Axle	Thickness
8020584114421	Front	19 mm
Width	Height	Braking system
151 mm	65 mm	Bosch
Wear indicator	WVA number	Accessories
Acoustic	24668,24669,24929	With anti-squeal shim



COMPATIBLE VEHICLES

## COMPATIBLE OE PART NUMBERS

0446502170 TOYOTA

---

0446502190 TOYOTA

---

0446502280 TOYOTA

---

044650F010 TOYOTA

---

044650F011 TOYOTA

---

044650F012 TOYOTA

---

04465YZZEE TOYOTA

---

04465YZZEH TOYOTA

---