



BRAKE PAD PRIME CERAMIC P85151N

The P85151N NAO brake pad is
synonymous with reliability

Brembo NAO brake pads stand out for their ultimate braking comfort, reduced friction wear and low dust mission, which makes for cleaner rims and reduced maintenance requirements. The advanced friction material in keeping with the strictest environmental standards is the main distinguishing feature of NAO compounds.

- ✓ OE-equivalent
- ✓ Brembo quality
- ✓ Safety
- ✓ Comfort
- ✓ Durability
- ✓ Dust reduction
- ✓ With accessories



Technical specifications

EAN code
8020584114612

Axle
Rear

Thickness
18 mm

Width
131 mm

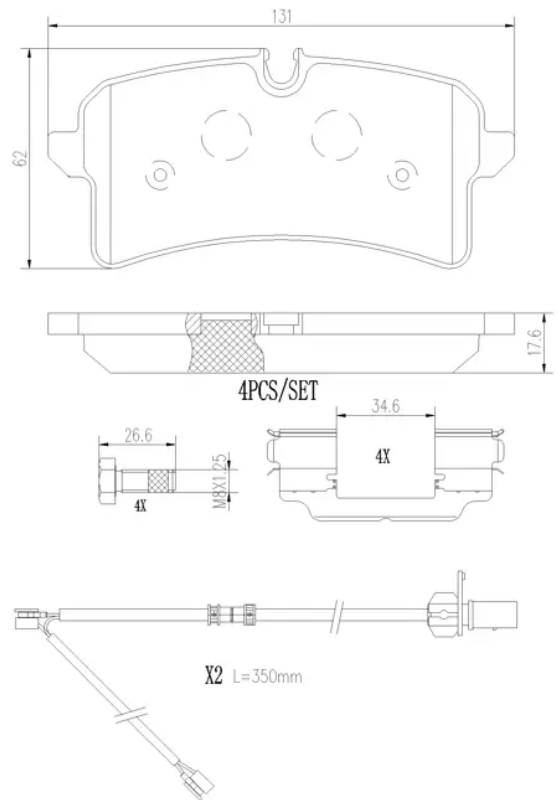
Height
62 mm

Braking system
TRW

Wear indicator
Electric

WVA number
25642

Accessories
With accessories
With anti-squeal shim
With brake caliper bolts



COMPATIBLE VEHICLES

COMPATIBLE OE PART NUMBERS

4H0698451F AUDI

4H0698451H AUDI

4H0698451N AUDI

4H0698451P AUDI

4H0698451Q AUDI

4H6698451 AUDI

4H6698451A AUDI

3Y0698451 BENTLEY

3Y0698451B BENTLEY

4H6698451 SEAT

4H6698451A SEAT

4H6698451 SKODA

4H6698451A SKODA

4H0698451E VW

4H6698451 VW

4H6698451A VW