



# BRAKE PAD

## P 06 022

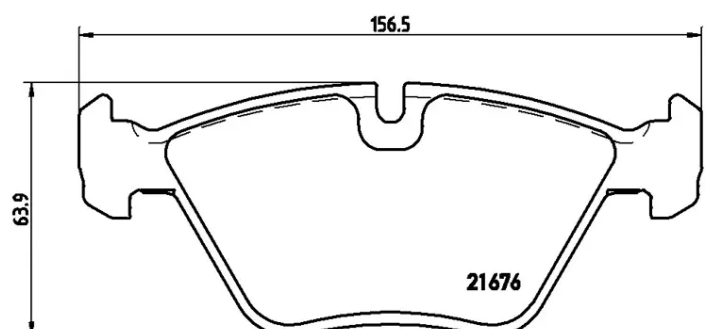
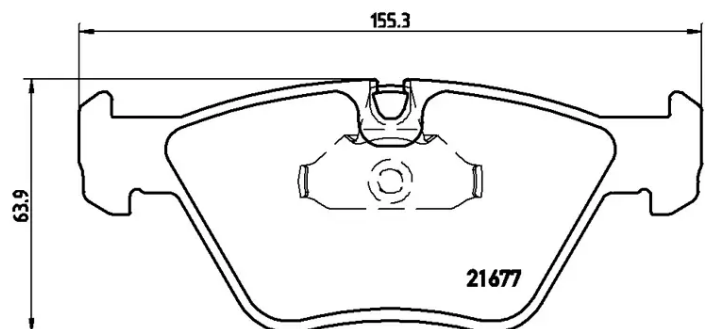
The P 06 022 brake pad is synonymous with reliability

The Brembo brake pad guarantees ultimate safety when braking thanks to the use of more than 100 different compounds, designed according to the type of vehicle and use. Stopping distances reduced to a minimum, maximum driving comfort and silent operation are the most important features of Brembo materials. Brembo brake pads are supplied together with an extensive range of accessories and assembly kits for professional-standard installation.

- ✓ OE-equivalent
- ✓ Brembo quality
- ✓ ECE-R90 certificate
- ✓ Safety
- ✓ Performance
- ✓ Comfort
- ✓ With accessories

### Technical specifications

EAN code <b>8020584050224</b>	Axle <b>Front</b>	Thickness <b>20 mm</b>
Width <b>155 mm</b>	Height <b>64 mm</b>	Braking system <b>Teves</b>
Wear indicator <b>Prepared for wear indicator</b>	WVA number <b>21676,21677</b>	Accessories <b>With accessories With anti-squeal shim With piston clip</b>



## COMPATIBLE OE PART NUMBERS

34111163387 BMW

---

34111163953 BMW

---

34111164330 BMW

---

34111164331 BMW

---

34112157587 BMW

---

34112157588 BMW

---

34116761277 BMW

---

34116761279 BMW

---