



BRAKE PAD

P 09 010

The P 09 010 brake pad is synonymous with reliability

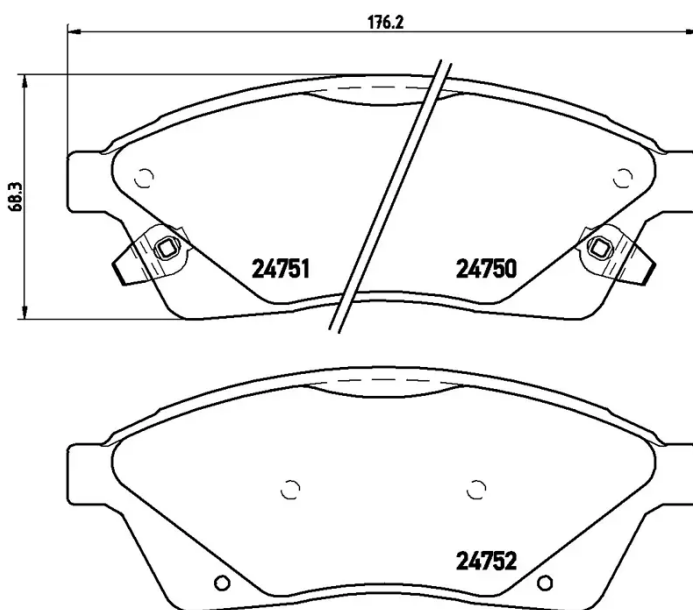
The Brembo brake pad guarantees ultimate safety when braking thanks to the use of more than 100 different compounds, designed according to the type of vehicle and use. Stopping distances reduced to a minimum, maximum driving comfort and silent operation are the most important features of Brembo materials. Brembo brake pads are supplied together with an extensive range of accessories and assembly kits for professional-standard installation.

- ✓ OE-equivalent
- ✓ Brembo quality
- ✓ ECE-R90 certificate
- ✓ Safety
- ✓ Performance
- ✓ Comfort



Technical specifications

EAN code	Axle	Thickness
8020584102794	Front	17 mm
Width	Height	
176 mm	68 mm	
Wear indicator	WVA number	Accessories
Acoustic	24750,24751,24752	With anti-squeal shim



COMPATIBLE VEHICLES

COMPATIBLE OE PART NUMBERS

19431910	CADILLAC
----------	----------

20887798	CADILLAC
----------	----------

20983942	CADILLAC
----------	----------
