



# BRAKE PAD

## P 11 040

The P 11 040 brake pad is synonymous with reliability

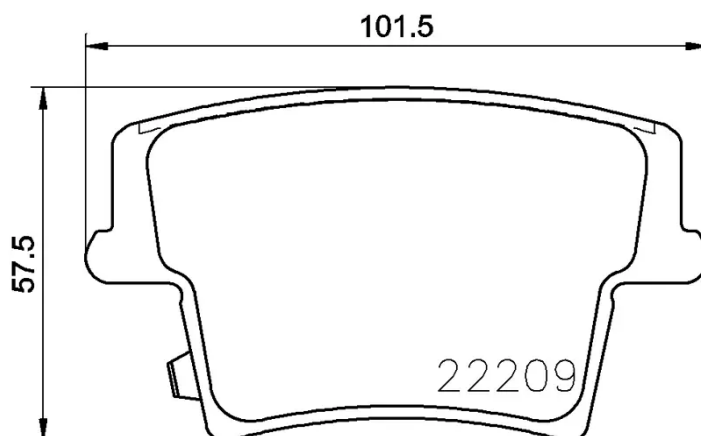
The Brembo brake pad guarantees ultimate safety when braking thanks to the use of more than 100 different compounds, designed according to the type of vehicle and use. Stopping distances reduced to a minimum, maximum driving comfort and silent operation are the most important features of Brembo materials. Brembo brake pads are supplied together with an extensive range of accessories and assembly kits for professional-standard installation.

- ✓ OE-equivalent
- ✓ Brembo quality
- ✓ ECE-R90 certificate
- ✓ Safety
- ✓ Performance
- ✓ Comfort
- ✓ With accessories



### Technical specifications

EAN code	Axle	Thickness
<b>8020584081143</b>	<b>Rear</b>	<b>18 mm</b>
Width	Height	
<b>102 mm</b>	<b>58 mm</b>	
Wear indicator	WVA number	Accessories
<b>Acoustic</b>	<b>22209</b>	<b>With accessories</b> <b>With anti-squeal shim</b> <b>With piston clip</b>



COMPATIBLE VEHICLES

## COMPATIBLE OE PART NUMBERS

05142560AA	CHRYSLER
------------	----------

05142560AB	CHRYSLER
------------	----------

05142561AB	CHRYSLER
------------	----------

5137672AA	CHRYSLER
-----------	----------

5142560AA	CHRYSLER
-----------	----------

5142560AB	CHRYSLER
-----------	----------

5142561AB	CHRYSLER
-----------	----------

5172560AA	CHRYSLER
-----------	----------

K5142560AA	CHRYSLER
------------	----------

K5142560AB	CHRYSLER
------------	----------

00K68001440AC	DODGE
---------------	-------

05175818AA	DODGE
------------	-------

5137672AA	DODGE
-----------	-------

5172560AA	DODGE
-----------	-------

5175818AA	DODGE
-----------	-------

68001440AC	DODGE
------------	-------