



BRAKE PAD

P 28 021

The P 28 021 brake pad is synonymous with reliability

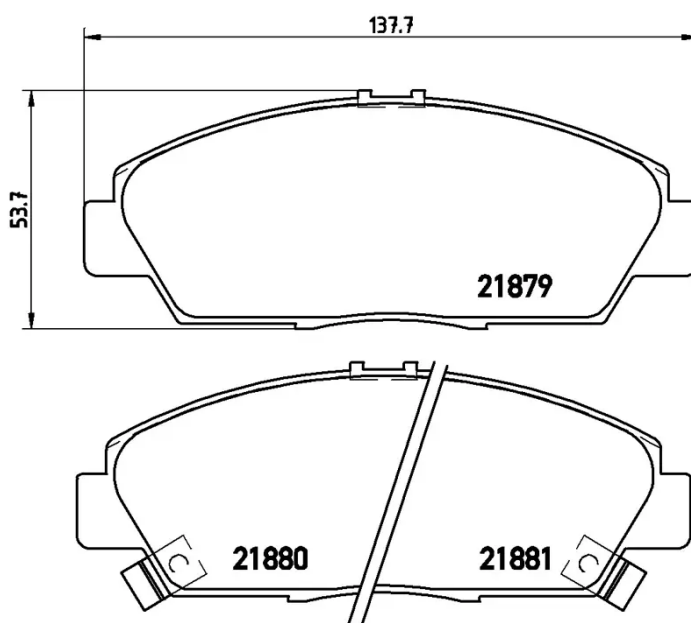
The Brembo brake pad guarantees ultimate safety when braking thanks to the use of more than 100 different compounds, designed according to the type of vehicle and use. Stopping distances reduced to a minimum, maximum driving comfort and silent operation are the most important features of Brembo materials. Brembo brake pads are supplied together with an extensive range of accessories and assembly kits for professional-standard installation.

- ✓ OE-equivalent
- ✓ Brembo quality
- ✓ ECE-R90 certificate
- ✓ Safety
- ✓ Performance
- ✓ Comfort



Technical specifications

EAN code	Axle	Thickness
8020584052556	Front	19 mm
Width	Height	Braking system
138 mm	54 mm	Akebono
Wear indicator	WVA number	Accessories
Acoustic	21879,21880,21881	With anti-squeal shim



COMPATIBLE VEHICLES

COMPATIBLE OE PART NUMBERS

45022S30408 HONDA

45022S30G10 HONDA

45022S30G11 HONDA

45022S30G12 HONDA

45022S30J00 HONDA

45022S30J01 HONDA

45022S30J02 HONDA

45022SE0528 HONDA

45022SE0G10 HONDA

45022SL5000 HONDA

45022SL5010 HONDA

45022SL5020 HONDA

45022SL5408 HONDA

45022SN7G40 HONDA

45022SN7G41 HONDA

45022SN7G42 HONDA

45022SN7Y40 HONDA

45022SS0000 HONDA

45022SS0505 HONDA

45022SS0508 HONDA

45022SS0515 HONDA

45022SS0518 HONDA

45022SS0525 HONDA

45022SS0528 HONDA

45022SS0G10 HONDA

45022SS2408 HONDA

H4502S30003 HONDA

AY040HN009 NISSAN

GBP90330AF ROVER

GBP90338 ROVER

GBP90338AF ROVER