



BRAKE PAD

P 36 035

The P 36 035 brake pad is synonymous with reliability

The Brembo brake pad guarantees ultimate safety when braking thanks to the use of more than 100 different compounds, designed according to the type of vehicle and use. Stopping distances reduced to a minimum, maximum driving comfort and silent operation are the most important features of Brembo materials. Brembo brake pads are supplied together with an extensive range of accessories and assembly kits for professional-standard installation.

- ✓ OE-equivalent
- ✓ Brembo quality
- ✓ ECE-R90 certificate
- ✓ Safety
- ✓ Performance
- ✓ Comfort
- ✓ With accessories



Technical specifications

EAN code
8020584084526

Axle
Front

Thickness
18 mm

Width
193 mm



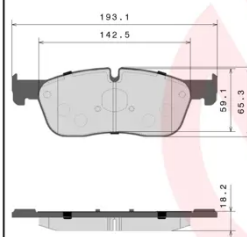

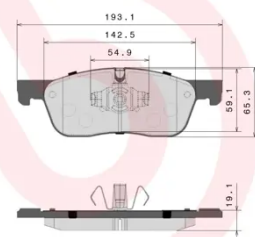
Height
66 mm

Braking system
Teves

Wear indicator
Prepared for wear indicator

WVA number
22145,22322

Accessories
With accessories
With anti-squeal shim
With piston clip

	P 36 035		407.E672.370
			
			
<p>WVA: 22145 QTY: x2</p>		<p>WVA: 22322 QTY: x2</p>	
<p><small>DATE : 12/09/2025 VERSION : 01</small></p>			

COMPATIBLE VEHICLES

COMPATIBLE OE PART NUMBERS

GX732K021BA	JAGUAR
-------------	--------

T2H43858	JAGUAR
----------	--------

T2H53847	JAGUAR
----------	--------

T2H53853	JAGUAR
----------	--------

T4N13434	JAGUAR
----------	--------

T4N9760	JAGUAR
---------	--------

LR090689	LAND ROVER
----------	------------

LR160438	LAND ROVER
----------	------------