



BRAKE PAD

P 61 012

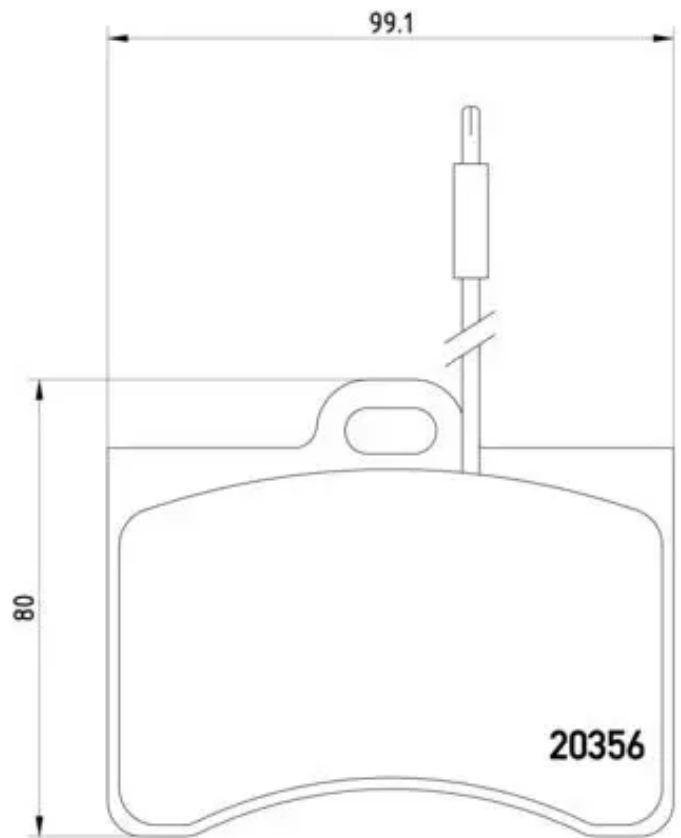
The P 61 012 brake pad is synonymous with reliability

The Brembo brake pad guarantees ultimate safety when braking thanks to the use of more than 100 different compounds, designed according to the type of vehicle and use. Stopping distances reduced to a minimum, maximum driving comfort and silent operation are the most important features of Brembo materials. Brembo brake pads are supplied together with an extensive range of accessories and assembly kits for professional-standard installation.

- ✓ OE-equivalent
- ✓ Brembo quality
- ✓ ECE-R90 certificate
- ✓ Safety
- ✓ Performance
- ✓ Comfort

Technical specifications

EAN code 8020584055885	Axle Front	Thickness 16 mm
Width 99 mm	Height 82 mm	Braking system Citroen
Wear indicator Electric	WVA number 20356	Accessories With anti-squeal shim



COMPATIBLE VEHICLES

COMPATIBLE OE PART NUMBERS

5453876	CITROËN
95453876	CITROËN
95565562	CITROËN
95624480	CITROËN