



# BRAKE PAD

## P 85 040

**The P 85 040 brake pad is synonymous with reliability**

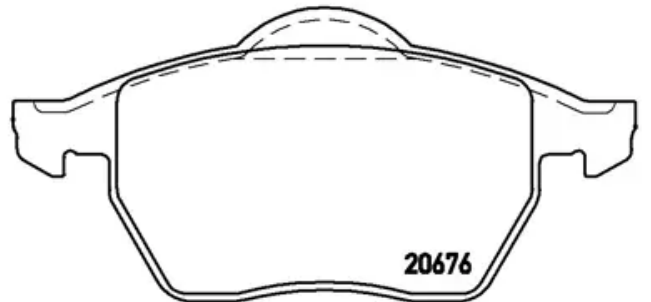
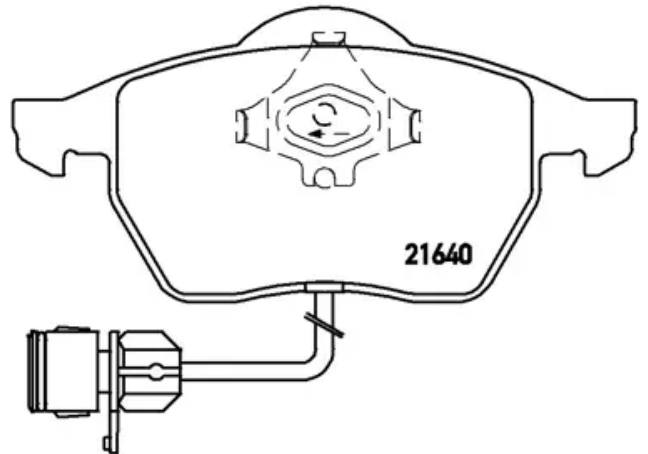
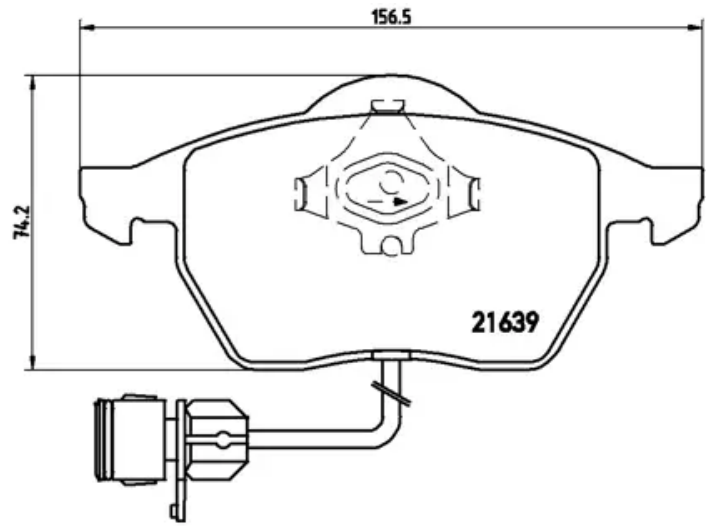
The Brembo brake pad guarantees ultimate safety when braking thanks to the use of more than 100 different compounds, designed according to the type of vehicle and use. Stopping distances reduced to a minimum, maximum driving comfort and silent operation are the most important features of Brembo materials. Brembo brake pads are supplied together with an extensive range of accessories and assembly kits for professional-standard installation.

- ✓ OE-equivalent
- ✓ Brembo quality
- ✓ ECE-R90 certificate
- ✓ Safety
- ✓ Performance
- ✓ Comfort



## Technical specifications

EAN code	Axle	Thickness
8020584058435	Front	20 mm
Width	Height	Braking system
155 mm	74 mm	Teves
Wear indicator	WVA number	Accessories
Electric	20676,21639,21640	With anti-squeal shim



COMPATIBLE VEHICLES

## COMPATIBLE OE PART NUMBERS

4D0698151G	AUDI
4D0698151G	SEAT
4D0698151G	SKODA
4D0698151G	VW