

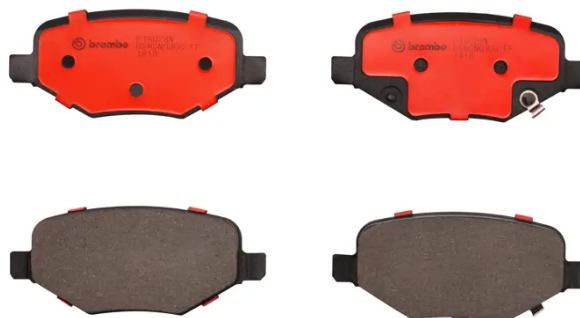


BRAKE PAD PRIME CERAMIC P18028N

The P18028N NAO brake pad is synonymous with reliability

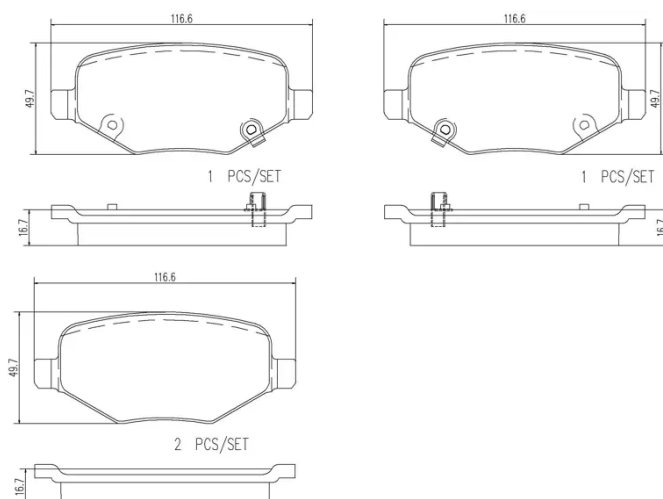
Brembo NAO brake pads stand out for their ultimate braking comfort, reduced friction wear and low dust mission, which makes for cleaner rims and reduced maintenance requirements. The advanced friction material in keeping with the strictest environmental standards is the main distinguishing feature of NAO compounds.

- ✓ OE-equivalent
- ✓ Brembo quality
- ✓ Safety
- ✓ Comfort
- ✓ Durability
- ✓ Dust reduction
- ✓ With accessories



Technical specifications

EAN code	Thickness	
8020584081112	17 mm	
Width	Height	
117 mm	50 mm	
Wear indicator	WVA number	Accessories
Acoustic	25843,25844,25845	With anti-squeal shim



COMPATIBLE VEHICLES