



BRAKE DISC

08.2985.10

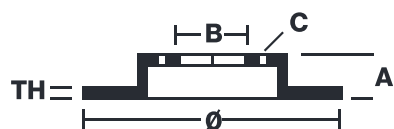
The **08.2985.10** brake disc is synonymous with reliability

The Brembo brake disc is fully interchangeable with an Original Equipment brake disc. The control of the entire production cycle allows Brembo to offer brake discs with outstanding performance levels, reliability, durability and comfort in all conditions of use. All Brembo brake discs are accompanied by the ECE-R90 homologation.

- ✓ OE-equivalent
- ✓ Brembo quality
- ✓ ECE-R90 certificate
- ✓ Safety
- ✓ Fastening screws



Technical specifications



EAN code **8020584298510** Axle **Front and rear**

Thickness (TH) **10 mm** Height (A) **34 mm**

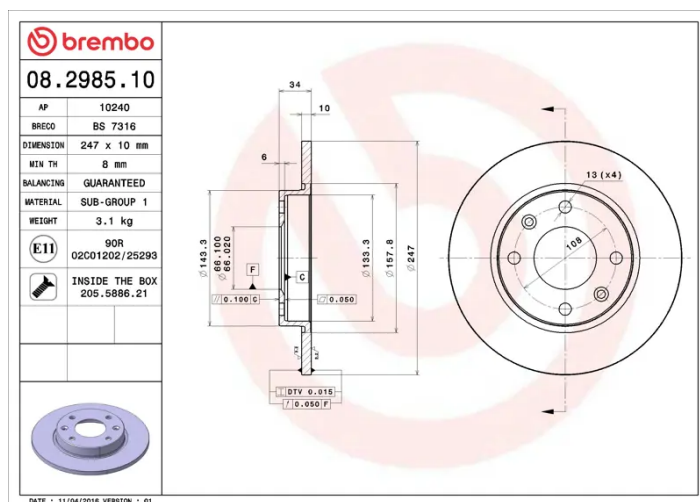
Brake disc type **Solid** Centering (B) **66 mm**

Tightening torque **90 Nm**

Diameter Ø **247 mm**

Number of holes (C) **4**

Min. thickness **8 mm**



COMPATIBLE VEHICLES

COMPATIBLE OE PART NUMBERS

1618859680	CITROËN
169001	CITROËN
424995	CITROËN
91508338	CITROËN
95661748	CITROËN
96070525	CITROËN
E169001	CITROËN
95661748	CITROËN (DF-PSA)
424689	DALLAS
1618859680	PEUGEOT
424689	PEUGEOT
4246A5	PEUGEOT
424995	PEUGEOT
E169001	PEUGEOT