



# BRAKE DISC

## 08.D505.20

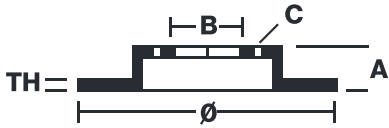
The 08.D505.20 brake disc is synonymous with reliability

The Brembo brake disc is fully interchangeable with an Original Equipment brake disc. The control of the entire production cycle allows Brembo to offer brake discs with outstanding performance levels, reliability, durability and comfort in all conditions of use. All Brembo brake discs are accompanied by the ECE-R90 homologation.

- ✓ OE-equivalent
- ✓ Brembo quality
- ✓ ECE-R90 certificate
- ✓ Safety



### Technical specifications



EAN code  
**8020584310533**

Axle  
**Rear**

Diameter Ø  
**288 mm**

Thickness (TH)  
**16 mm**

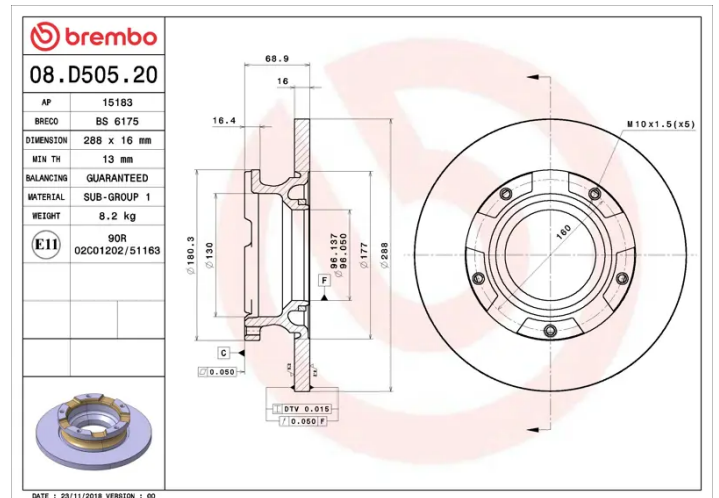
Height (A)  
**69 mm**

Number of holes (C)  
**5**

Brake disc type  
**Solid**

Centering (B)  
**96 mm**

Min. thickness  
**13 mm**



COMPATIBLE VEHICLES

## COMPATIBLE OE PART NUMBERS

1867715	FORD
---------	------

2013002	FORD
---------	------

2021562	FORD
---------	------

2409102	FORD
---------	------

2698855	FORD
---------	------

BK212A097CA	FORD
-------------	------

BK212A097EA	FORD
-------------	------

BK212A097FA	FORD
-------------	------

BK212A097FB	FORD
-------------	------

BK212A097GB	FORD
-------------	------

BK212A097HA	FORD
-------------	------

GK292A097BC	FORD (JMC)
-------------	------------

GK292A097BD	FORD (JMC)
-------------	------------