



BRAKE DISC

09.8205.10

The **09.8205.10** brake disc is synonymous with reliability

The Brembo brake disc is fully interchangeable with an Original Equipment brake disc. The control of the entire production cycle allows Brembo to offer brake discs with outstanding performance levels, reliability, durability and comfort in all conditions of use. All Brembo brake discs are accompanied by the ECE-R90 homologation.

- ✓ OE-equivalent
- ✓ Brembo quality
- ✓ ECE-R90 certificate
- ✓ Safety
- ✓ High carbon



Technical specifications



EAN code
8020584820513

Axle
Rear

Diameter Ø
324 mm

Thickness (TH)
30 mm

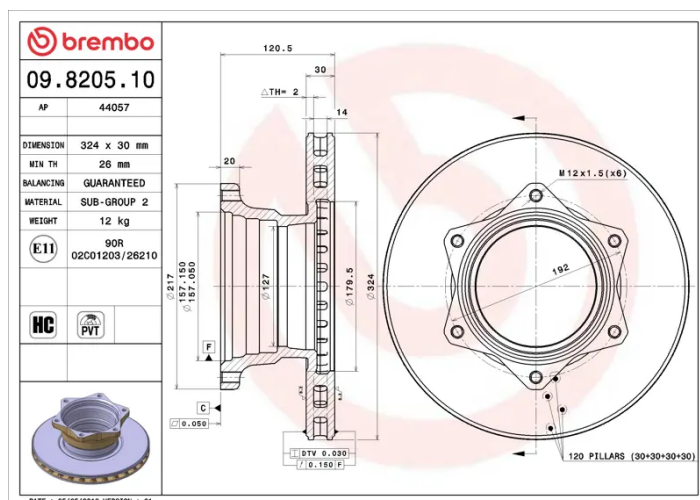
Height (A)
121 mm

Number of holes (C)
6

Brake disc type
Ventilated

Centering (B)
157 mm

Min. thickness
26 mm



COMPATIBLE VEHICLES

COMPATIBLE OE PART NUMBERS

6684230112	MERCEDES-BENZ
------------	---------------

6684230312	MERCEDES-BENZ
------------	---------------

6684230512	MERCEDES-BENZ
------------	---------------

A6684230112	MERCEDES-BENZ
-------------	---------------

A6684230312	MERCEDES-BENZ
-------------	---------------

A6684230512	MERCEDES-BENZ
-------------	---------------
