



BRAKE DISC PAINTED

09.9177.11

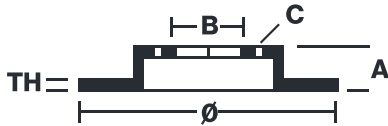
The 09.9177.11 painted brake disc is synonymous with reliability

The Brembo brake disc with special UV paint treatment guarantees superior corrosion resistance for the product, thanks to the protective coating on the outer edges and on the disc hub. The UV paint not only gives the disc a clean, shiny appearance but is also beneficial for the environment as the water-based UV paint treatment does not require the use of chemical solvents and is a low energy consumption process.

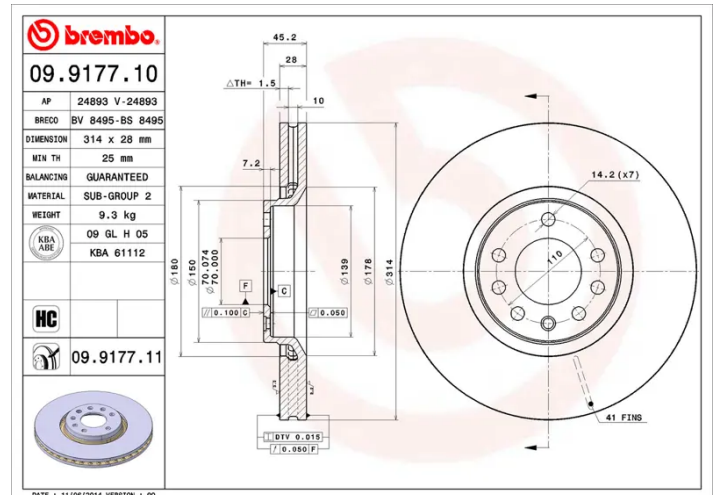
- ✓ OE-equivalent
- ✓ Brembo quality
- ✓ ECE-R90 certificate
- ✓ Safety
- ✓ High carbon
- ✓ Anti-corrosion



Technical specifications



EAN code 8020584016916	Axle Front	Diameter Ø 314 mm
Thickness (TH) 28 mm	Height (A) 45 mm	Number of holes (C) 5
Brake disc type Ventilated	Centering (B) 70 mm	Min. thickness 25 mm
Tightening torque 110 Nm		



COMPATIBLE VEHICLES

COMPATIBLE OE PART NUMBERS

93175606 CADILLAC

95526643 CADILLAC

569005 OPEL

93175606 OPEL

95526643 OPEL

24435132 SAAB

93175606 SAAB

93171606 VAUXHALL

93175606 VAUXHALL

95526643 VAUXHALL
