



BRAKE DISC PAINTED

09.A426.11

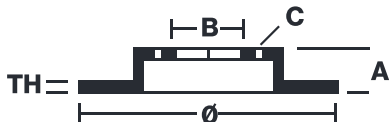
The **09.A426.11** painted brake disc is synonymous with reliability

The Brembo brake disc with special UV paint treatment guarantees superior corrosion resistance for the product, thanks to the protective coating on the outer edges and on the disc hub. The UV paint not only gives the disc a clean, shiny appearance but is also beneficial for the environment as the water-based UV paint treatment does not require the use of chemical solvents and is a low energy consumption process.

- ✓ OE-equivalent
- ✓ Brembo quality
- ✓ ECE-R90 certificate
- ✓ Safety
- ✓ Anti-corrosion

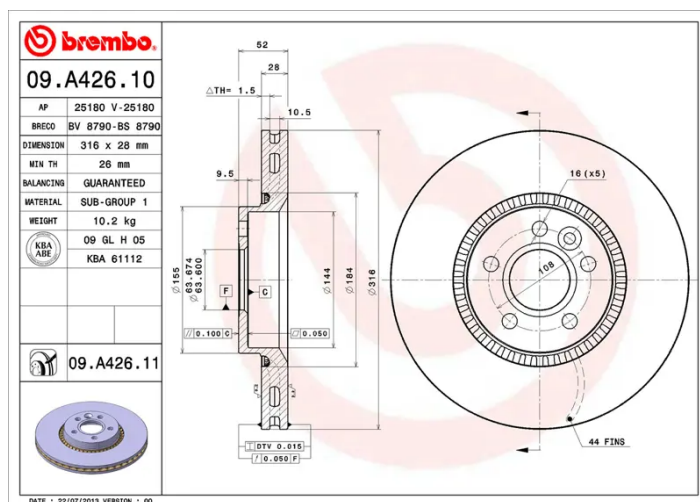


Technical specifications



EAN code 8020584020340	Axle Front	Diameter Ø 316 mm
Thickness (TH) 28 mm	Height (A) 52 mm	Number of holes (C) 5
Brake disc type Ventilated	Centering (B) 64 mm	Min. thickness 26 mm

Tightening torque
170 Nm



COMPATIBLE VEHICLES

COMPATIBLE OE PART NUMBERS

1380046	FORD
---------	------

1404955	FORD
---------	------

1405509	FORD
---------	------

1434812	FORD
---------	------

1434815	FORD
---------	------

1864276	FORD
---------	------

6G9N2C375AC	FORD
-------------	------

6G9N2C375DA	FORD
-------------	------

6G9N2C375DB	FORD
-------------	------

6G9N2C375DC	FORD
-------------	------

LR000470	LAND ROVER
----------	------------

LR027107	LAND ROVER
----------	------------

30769061	VOLVO
----------	-------

307690610	VOLVO
-----------	-------

314007640	VOLVO
-----------	-------