



# BRAKE DISC MAX

## 09.C894.75

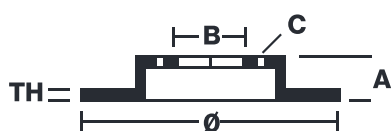
The 09.C894.75 Max brake disc is synonymous with reliability

The Brembo Max brake disc features grooves on the braking surface. The special shape of the grooves generates greater fading resistance and constant renewal of friction material, quickly restoring optimum braking conditions. The UV paint completes the sporty look.

- ✓ Brembo quality
- ✓ ECE-R90 certificate
- ✓ Performance
- ✓ Sports driving
- ✓ Sporty look
- ✓ High carbon
- ✓ Anti-corrosion
- ✓ PVT ventilation
- ✓ Fastening screws



### Technical specifications



EAN code  
**8020584231913**

Axle  
**Front**

Diameter  $\varnothing$   
**310 mm**

Thickness (TH)  
**24 mm**

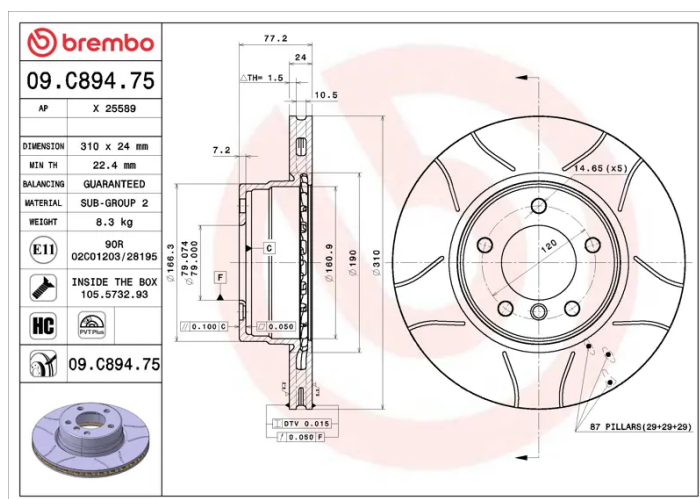
Height (A)  
**77 mm**

Number of holes (C)  
**5**

Brake disc type  
**Ventilated**

Centering (B)  
**79 mm**

Min. thickness  
**22,4 mm**



## COMPATIBLE OE PART NUMBERS

34116756745	BMW
34116764021	BMW
34116778967	BMW
34116864059	BMW
34116756745	BMW (BRILLIANCE)
34116764021	BMW (BRILLIANCE)
34116864059	BMW (BRILLIANCE)