



BRAKE DISC PAINTED

09.N256.21

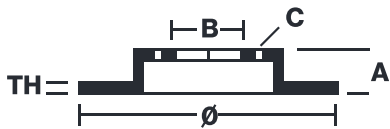
The 09.N256.21 painted brake disc is synonymous with reliability

The Brembo brake disc with special UV paint treatment guarantees superior corrosion resistance for the product, thanks to the protective coating on the outer edges and on the disc hub. The UV paint not only gives the disc a clean, shiny appearance but is also beneficial for the environment as the water-based UV paint treatment does not require the use of chemical solvents and is a low energy consumption process.

- ✓ OE-equivalent
- ✓ Brembo quality
- ✓ ECE-R90 certificate
- ✓ Safety
- ✓ Anti-corrosion



Technical specifications



EAN code
8020584232392

Axle
Front

Diameter Ø
316 mm

Thickness (TH)
28 mm

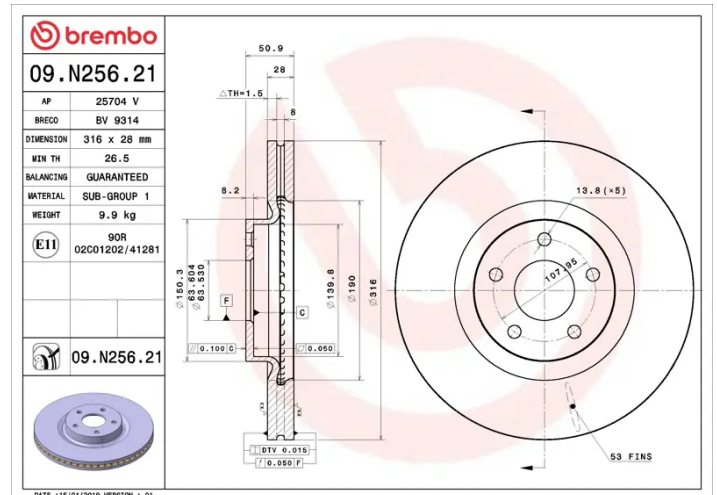
Height (A)
51 mm

Number of holes (C)
5

Brake disc type
Ventilated

Centering (B)
64 mm

Min. thickness
26,5 mm



COMPATIBLE VEHICLES

COMPATIBLE OE PART NUMBERS

2015368 FORD

5202200 FORD

5343049 FORD

DG9C1125CC FORD

DG9C1125CD FORD

DG9C1125CE FORD

DG9C1125CF FORD

DG9Z1125H FORD

1911411 FORD (CHANGAN)

DG9C1125CF FORD (CHANGAN)

G3GC1125CB FORD (CHANGAN)

BRRF118 FORD USA

DG9Z1125B FORD USA

DG9Z1125D FORD USA

DG9Z1125B LINCOLN

DG9Z1125D LINCOLN
