



BEYOND EV KIT

KT 08 051

EV Kit KT 08 051 comprises brake discs and pads designed for electric cars

The use of regenerative braking, in electric vehicles, entails a more discontinuous use of the friction brake compared to a car with a combustion engine. For this reason, special attention is required to avoid the corrosion of brake discs and brake pads. The Brembo EV brake kit, comprising brake discs and brake pads dedicated specifically to electric cars, avoids early corrosion of the braking system, keeping it effective and safe for longer.

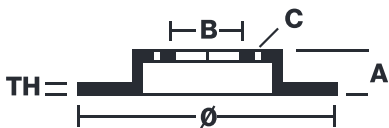
- ✓ Brembo quality
- ✓ ECE-R90 certificate
- ✓ Comfort
- ✓ Durability
- ✓ Dust reduction
- ✓ Quick assembly
- ✓ Anti-corrosion
- ✓ Kit

Kit information

EAN code Brake discs per box Brake pads per box
8432509504178 2 4

Axle
Rear

Brake disc technical specifications



Diameter	Thickness (TH)	Height (A)
302 mm	11 mm	40,7 mm
Number of holes (C)	Brake disc type	Centering (B)
5	Solid	63,5 mm
Min. thickness		

08.A537.1E

DIMENSION	302 x 11 mm
MIN TH	9 mm
BALANCING	GUARANTEED
MATERIAL	SUB-GROUP 1
WEIGHT	4,9 kg
EI1	90R 02C01202/25309

08.A537.1E

DATE : 12/01/2024 VERSION : 00

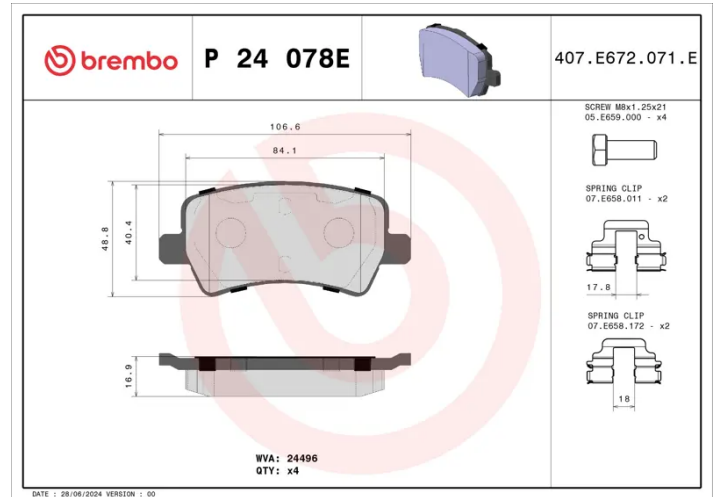
9 mm

Brake pad technical specifications

Thickness	Width	Height
11 mm	107 mm	49 mm
Braking system	Wear indicator	WVA number
TRW	Without	24496

Accessories

With accessories
With anti-squeal shim
With brake caliper bolts



COMPATIBLE OE PART NUMBERS

1439866	FORD
1566233	FORD
1752093	FORD
30769059	VOLVO
30794555	VOLVO
31317482	VOLVO
31358884	VOLVO
31471746	VOLVO
32300259	VOLVO