



DRUM

14.7096.10

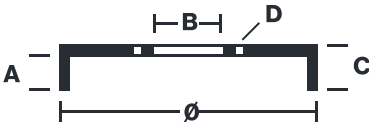
The 14.7096.10 drum is synonymous with reliability

Brembo has developed several design solutions for drum brakes which combine multiple materials to reduce the overall weight. The most popular range of lamellar graphite cast iron drums is supplemented by cast iron drums with a steel sprocket flange and aluminium drums, whereby only the inner part of the drum on which the shoes operate are made of lamellar cast iron, namely the brake band. Additionally drums with built-in bearing kit and hub are added to this range.



- ✓ OE-equivalent
- ✓ Brembo quality
- ✓ Safety
- ✓ Durability

Technical specifications



EAN code
8020584709610

Axle
Rear

Diameter
254 mm

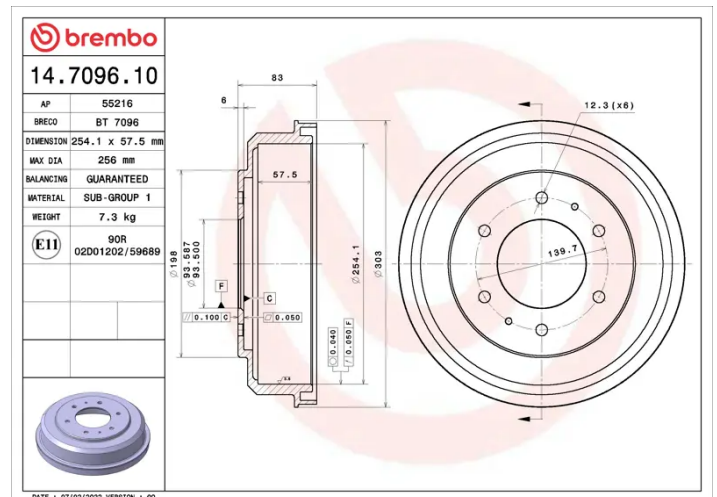
Width
62 mm

Height
83

Number of holes
6

Centering
93,5 mm

Max diameter
256 mm



COMPATIBLE VEHICLES

COMPATIBLE OE PART NUMBERS

MB193596	DODGE
----------	-------

MB534245	DODGE
----------	-------

MB193596	MITSUBISHI
----------	------------

MB534235	MITSUBISHI
----------	------------

MB534245	MITSUBISHI
----------	------------

MB950951	MITSUBISHI
----------	------------

MB193596	PLYMOUTH
----------	----------

MB534235	PLYMOUTH
----------	----------

MB534245	PLYMOUTH
----------	----------