



DRUM

14.C014.10

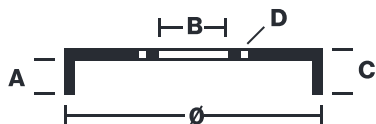
The 14.C014.10 drum is synonymous with reliability

Brembo has developed several design solutions for drum brakes which combine multiple materials to reduce the overall weight. The most popular range of lamellar graphite cast iron drums is supplemented by cast iron drums with a steel sprocket flange and aluminium drums, whereby only the inner part of the drum on which the shoes operate are made of lamellar cast iron, namely the brake band. Additionally drums with built-in bearing kit and hub are added to this range.



- ✓ OE-equivalent
- ✓ Brembo quality
- ✓ Safety
- ✓ Durability

Technical specifications



EAN code
8020584219171

Axle
Rear

Diameter
203 mm

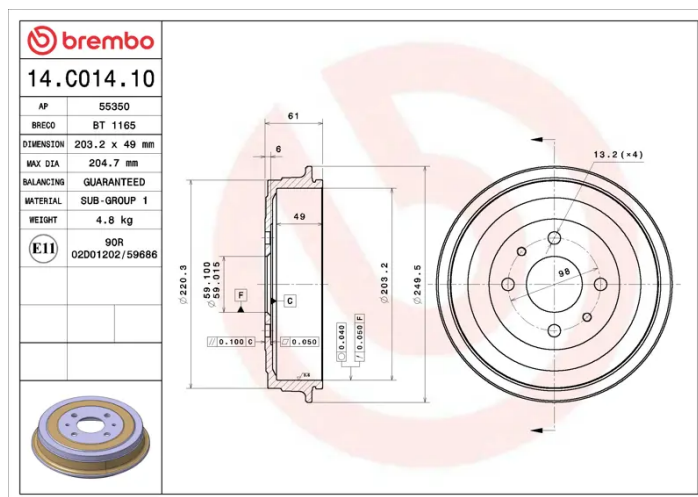
Width
48,5 mm

Height
61

Number of holes
4

Centering
59 mm

Max diameter
204,7 mm



COMPATIBLE VEHICLES

COMPATIBLE OE PART NUMBERS

51904681	CHRYSLER
----------	----------

51962845	CHRYSLER
----------	----------

1609312580	CITROËN
------------	---------

1611509680	CITROËN
------------	---------

424754	CITROËN
--------	---------

424757	CITROËN
--------	---------

51904681	FIAT
----------	------

51962845	FIAT
----------	------

51904681	LANCIA
----------	--------

51962845	LANCIA
----------	--------

1609312580	PEUGEOT
------------	---------

1611509680	PEUGEOT
------------	---------

424754	PEUGEOT
--------	---------

424757	PEUGEOT
--------	---------