



BRAKE PAD PRIME CERAMIC P11024N

The P11024N NAO brake pad is synonymous with reliability

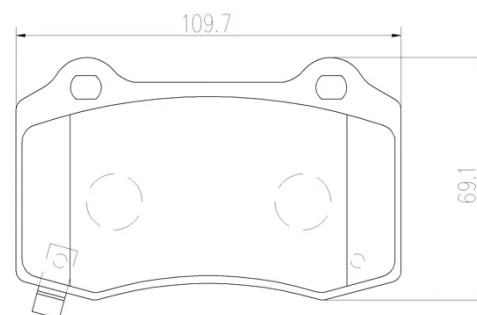
Brembo NAO brake pads stand out for their ultimate braking comfort, reduced friction wear and low dust mission, which makes for cleaner rims and reduced maintenance requirements. The advanced friction material in keeping with the strictest environmental standards is the main distinguishing feature of NAO compounds.

- ✓ OE-equivalent
- ✓ Brembo quality
- ✓ Safety
- ✓ Comfort
- ✓ Durability
- ✓ Dust reduction
- ✓ With accessories



Technical specifications

EAN code 8020584086841	Axle Rear	Thickness 15 mm
Width 110 mm	Height 69 mm	Braking system Brembo
Wear indicator Acoustic	WVA number 24076	Accessories With anti-squeal shim



4 PCS/SET

COMPATIBLE VEHICLES

COMPATIBLE OE PART NUMBERS

107778344 CADILLAC

23322997 CADILLAC

25940439 CADILLAC

68034993AA CADILLAC

89047744 CADILLAC

25940439 CHEVROLET

89047744 CHEVROLET

05174327AA CHRYSLER

05174327AB CHRYSLER

05174327AC CHRYSLER

068144223AA CHRYSLER

5174327AA CHRYSLER

5174327AB CHRYSLER

5174327AC CHRYSLER

68034993AA CHRYSLER

68144223AA CHRYSLER

68144223AC CHRYSLER

K05174327AC CHRYSLER

00K68399102AB DODGE

68144223AC DODGE

00K68399102AA JEEP

68003610AA JEEP

68003610AB JEEP

68034993AA JEEP

68399102AA JEEP

68399102AB JEEP

K68003610AA JEEP

K68003610AB JEEP

K68034993AA JEEP

K68399102AA JEEP
