



BRAKE PAD XTRA CERAMIC P18038NX

Xtra Ceramic brake pad P18038NX belongs to Brembo Cool Line

Brembo Xtra Ceramic brake pads have a specific compound which, beside being copper free, also contains less metal compared to Xtra pads. This feature make Xtra Ceramic more focused on comfort and cleaner rims, thanks to the ceramic friction material, while guaranteeing the top performance proper of the Xtra line. Xtra Ceramic range is fully ECE R90 homologated.

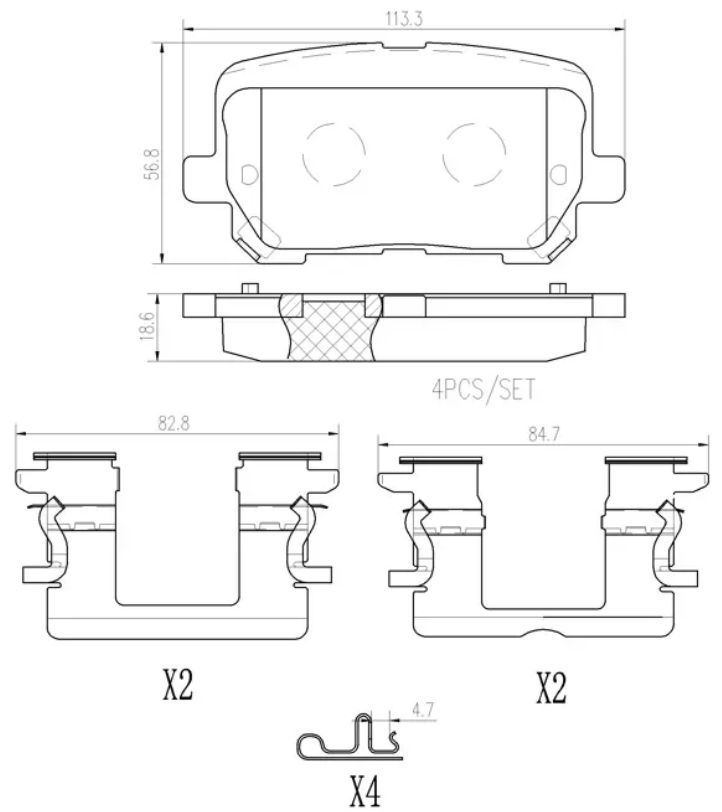
- ✓ OE-equivalent
- ✓ Brembo quality
- ✓ ECE-R90 certificate
- ✓ Safety
- ✓ Performance
- ✓ Dust reduction
- ✓ Comfort

Technical specifications

EAN code Axle Thickness
8020584131138 **Rear** **19 mm**

Width Height
113 mm **57 mm**

Wear indicator Accessories
Acoustic **With anti-squeal shim**



COMPATIBLE OE PART NUMBERS

00K68245118AA DODGE

00K68245118AB DODGE

68245118AA DODGE

68245118AB DODGE