



BRAKE PAD PRIME CERAMIC P23112N

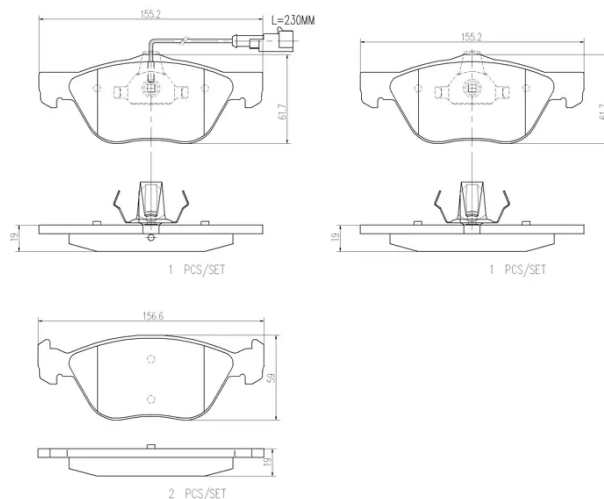
The P23112N NAO brake pad is synonymous with reliability

Brembo NAO brake pads stand out for their ultimate braking comfort, reduced friction wear and low dust mission, which makes for cleaner rims and reduced maintenance requirements. The advanced friction material in keeping with the strictest environmental standards is the main distinguishing feature of NAO compounds.

- ✓ OE-equivalent
- ✓ Brembo quality
- ✓ Safety
- ✓ Comfort
- ✓ Durability
- ✓ Dust reduction
- ✓ With accessories

Technical specifications

EAN code 8020584113554	Axle Front	Thickness 19 mm
Width 155 mm	Height 59 mm	Braking system Teves
Wear indicator Electric	WVA number 21637,23222,24067	Accessories With accessories With anti-squeal shim With piston clip



COMPATIBLE OE PART NUMBERS