



# BRAKE PAD PRIME CERAMIC P23151N

The P23151N NAO brake pad is  
synonymous with reliability

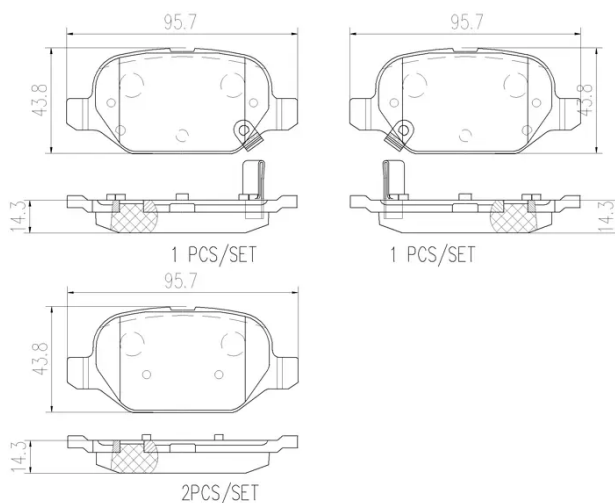
Brembo NAO brake pads stand out for their ultimate braking comfort, reduced friction wear and low dust mission, which makes for cleaner rims and reduced maintenance requirements. The advanced friction material in keeping with the strictest environmental standards is the main distinguishing feature of NAO compounds.

- ✓ OE-equivalent
- ✓ Brembo quality
- ✓ Safety
- ✓ Comfort
- ✓ Durability
- ✓ Dust reduction
- ✓ With accessories



## Technical specifications

EAN code <b>8020584082553</b>	Axle <b>Rear</b>	Thickness <b>14 mm</b>
Width <b>96 mm</b>	Height <b>44 mm</b>	Braking system <b>TRW</b>
Wear indicator <b>Acoustic</b>	WVA number <b>25410,25411,25412</b>	Accessories <b>With accessories</b> <b>With anti-squeal shim</b> <b>With piston clip</b>



COMPATIBLE VEHICLES

## COMPATIBLE OE PART NUMBERS

068088919AA	CHRYSLER
-------------	----------

68088919AA	CHRYSLER
------------	----------

00K68206120AA	FIAT
---------------	------

68088919AA	FIAT
------------	------

68088919AB	FIAT
------------	------

68206120AA	FIAT
------------	------

77366388	FIAT
----------	------

77366453	FIAT
----------	------

77367514	FIAT
----------	------

K68088919AA	FIAT
-------------	------

K68088919AB	FIAT
-------------	------