

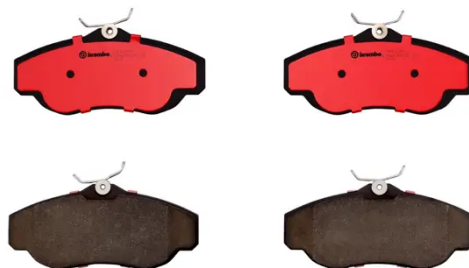


# BRAKE PAD PRIME CERAMIC P44008N

The P44008N NAO brake pad is synonymous with reliability

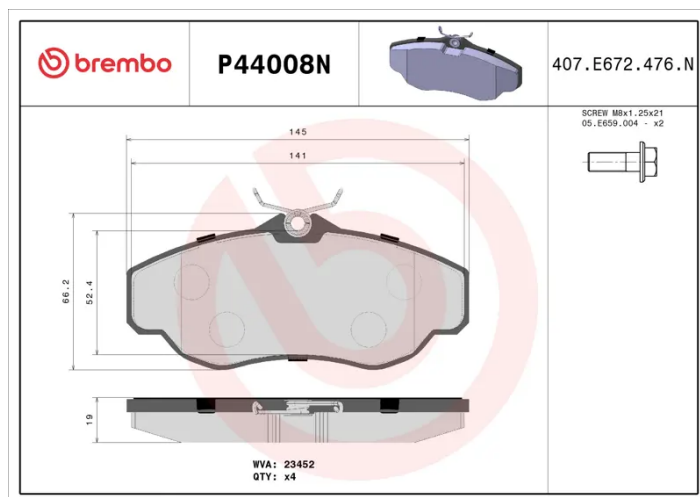
Brembo NAO brake pads stand out for their ultimate braking comfort, reduced friction wear and low dust mission, which makes for cleaner rims and reduced maintenance requirements. The advanced friction material in keeping with the strictest environmental standards is the main distinguishing feature of NAO compounds.

- ✓ OE-equivalent
- ✓ Brembo quality
- ✓ Safety
- ✓ Comfort
- ✓ Durability
- ✓ Dust reduction
- ✓ With accessories



## Technical specifications

EAN code <b>8020584083666</b>	Axle <b>Front</b>	Thickness <b>19 mm</b>
Width <b>145 mm</b>	Height <b>66 mm</b>	Braking system <b>Lucas</b>
Wear indicator <b>Without</b>	WVA number <b>23452</b>	Accessories <b>With accessories With anti-squeal shim</b>



COMPATIBLE VEHICLES

## COMPATIBLE OE PART NUMBERS

SFP100580 LAND ROVER

---

SFP100590 LAND ROVER

---

SFP500120 LAND ROVER

---

SFP500150 LAND ROVER

---

SFP000210 ROVER

---

SFP100460 ROVER

---

SFP100480 ROVER

---

STC1880 ROVER

---

STC3195 ROVER

---

STC3685 ROVER

---