



BRAKE PAD PRIME CERAMIC P61078N

The P61078N NAO brake pad is synonymous with reliability

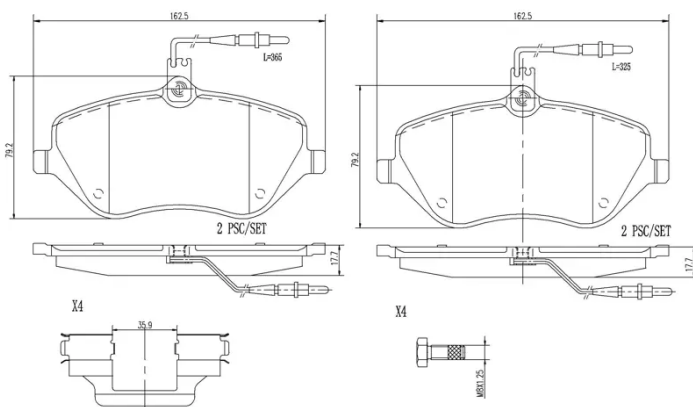
Brembo NAO brake pads stand out for their ultimate braking comfort, reduced friction wear and low dust mission, which makes for cleaner rims and reduced maintenance requirements. The advanced friction material in keeping with the strictest environmental standards is the main distinguishing feature of NAO compounds.

- ✓ OE-equivalent
- ✓ Brembo quality
- ✓ Safety
- ✓ Comfort
- ✓ Durability
- ✓ Dust reduction
- ✓ With accessories



Technical specifications

EAN code 8020584089392	Axle Front	Thickness 18 mm
Width 163 mm	Height 79 mm	Braking system Lucas
Wear indicator Electric	WVA number 24133,24174	Accessories With accessories With anti-squeal shim With brake caliper bolts



COMPATIBLE VEHICLES

COMPATIBLE OE PART NUMBERS

1611457580	CITROËN
------------	---------

1617270180	CITROËN
------------	---------

425278	CITROËN
--------	---------

425294	CITROËN
--------	---------

425336	CITROËN
--------	---------

425337	CITROËN
--------	---------

425348	CITROËN
--------	---------

425383	CITROËN
--------	---------

425410	CITROËN
--------	---------

425411	CITROËN
--------	---------

4254A0	CITROËN
--------	---------

E172314	CITROËN
---------	---------

1611457580	PEUGEOT
------------	---------

1617270180	PEUGEOT
------------	---------

425278	PEUGEOT
--------	---------

425294	PEUGEOT
--------	---------

425336	PEUGEOT
--------	---------

425337	PEUGEOT
--------	---------

425348	PEUGEOT
--------	---------

425377	PEUGEOT
--------	---------

425383	PEUGEOT
--------	---------

425410	PEUGEOT
--------	---------

425411	PEUGEOT
--------	---------

4254A0	PEUGEOT
--------	---------

E172314	PEUGEOT
---------	---------