



# BRAKE PAD

## P 06 038

The P 06 038 brake pad is synonymous with reliability

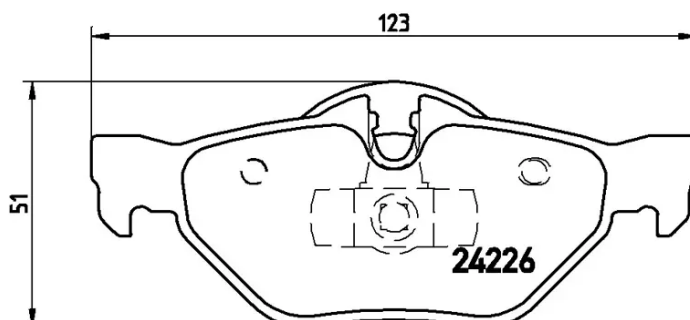
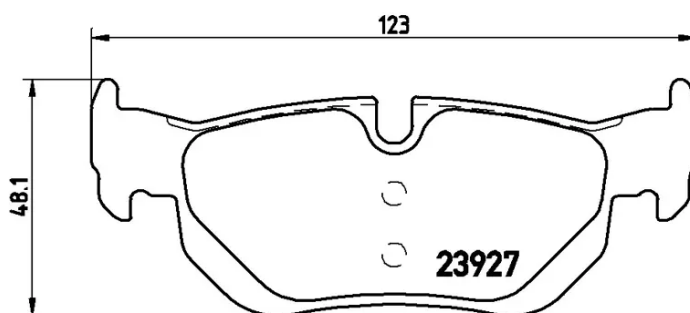
The Brembo brake pad guarantees ultimate safety when braking thanks to the use of more than 100 different compounds, designed according to the type of vehicle and use. Stopping distances reduced to a minimum, maximum driving comfort and silent operation are the most important features of Brembo materials. Brembo brake pads are supplied together with an extensive range of accessories and assembly kits for professional-standard installation.

- ✓ OE-equivalent
- ✓ Brembo quality
- ✓ ECE-R90 certificate
- ✓ Safety
- ✓ Performance
- ✓ Comfort
- ✓ With accessories



### Technical specifications

EAN code <b>8020584059364</b>	Axle <b>Rear</b>	Thickness <b>17 mm</b>
Width <b>123 mm</b>	Height <b>48 mm</b>	Braking system <b>Teves</b>
Wear indicator <b>Prepared for wear indicator</b>	WVA number <b>23926,23927,24226</b>	Accessories <b>With accessories With anti-squeal shim With piston clip</b>



## COMPATIBLE OE PART NUMBERS

34121288891 BMW

34121288892 BMW

34121288893 BMW

34121288894 BMW

34212288891 BMW

34212409257 BMW

34212409259 BMW

34216767148 BMW

34216767150 BMW

34216773161 BMW

34216774692 BMW

34216790761 BMW