



BRAKE PAD

P 23 019

The P 23 019 brake pad is synonymous with reliability

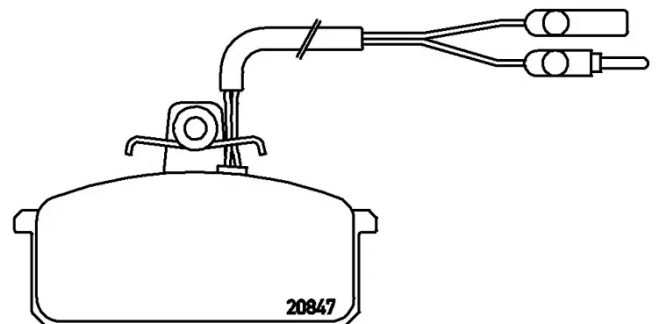
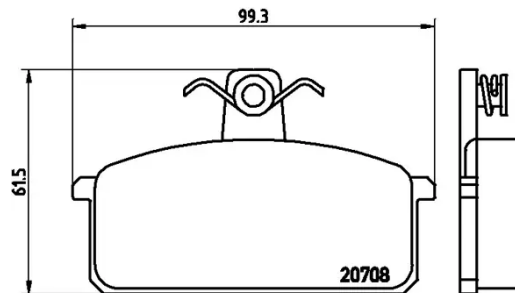
The Brembo brake pad guarantees ultimate safety when braking thanks to the use of more than 100 different compounds, designed according to the type of vehicle and use. Stopping distances reduced to a minimum, maximum driving comfort and silent operation are the most important features of Brembo materials. Brembo brake pads are supplied together with an extensive range of accessories and assembly kits for professional-standard installation.

- ✓ OE-equivalent
- ✓ Brembo quality
- ✓ ECE-R90 certificate
- ✓ Safety
- ✓ Performance
- ✓ Comfort
- ✓ With accessories



Technical specifications

EAN code 8020584050897	Axle Front	Thickness 17 mm
Width 99 mm	Height 62 mm	Braking system Lucas
Wear indicator Electric	WVA number 20847,20708	Accessories With anti-squeal shim With accessories With brake caliper bolts



COMPATIBLE OE PART NUMBERS

5888546 ALFA ROMEO

5983913 ALFA ROMEO

82361902 ALFA ROMEO

9938719 ALFA ROMEO

9939353 ALFA ROMEO

21165081 AUDI

71770949 FIAT

09941718 LANCIA

792488 LANCIA

9939953 LANCIA

21165081 SEAT

21165081 SKODA

21165081 VW
