



# BRAKE PAD

## P 28 021

The P 28 021 brake pad is synonymous with reliability

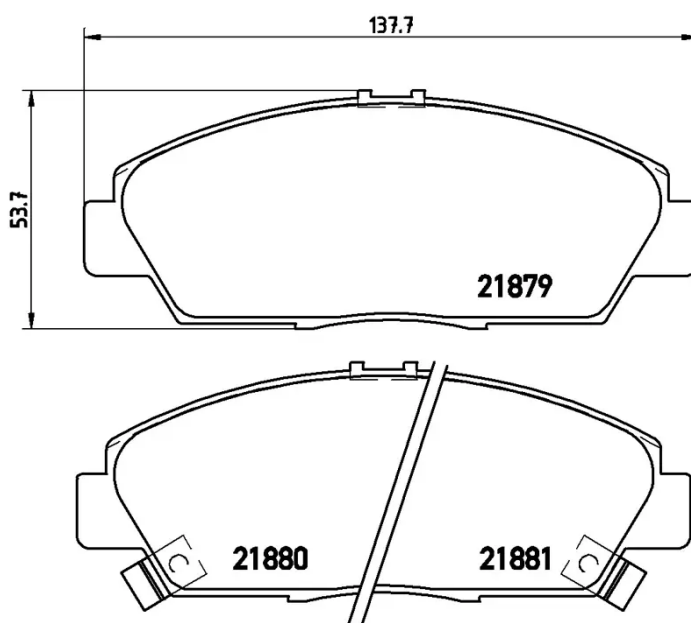
The Brembo brake pad guarantees ultimate safety when braking thanks to the use of more than 100 different compounds, designed according to the type of vehicle and use. Stopping distances reduced to a minimum, maximum driving comfort and silent operation are the most important features of Brembo materials. Brembo brake pads are supplied together with an extensive range of accessories and assembly kits for professional-standard installation.

- ✓ OE-equivalent
- ✓ Brembo quality
- ✓ ECE-R90 certificate
- ✓ Safety
- ✓ Performance
- ✓ Comfort



### Technical specifications

EAN code	Axle	Thickness
<b>8020584052556</b>	<b>Front</b>	<b>19 mm</b>
Width	Height	Braking system
<b>138 mm</b>	<b>54 mm</b>	<b>Akebono</b>
Wear indicator	WVA number	Accessories
<b>Acoustic</b>	<b>21879,21880,21881</b>	<b>With anti-squeal shim</b>



## COMPATIBLE OE PART NUMBERS

45022S30408 HONDA

---

45022S30G10 HONDA

---

45022S30G11 HONDA

---

45022S30G12 HONDA

---

45022S30J00 HONDA

---

45022S30J01 HONDA

---

45022S30J02 HONDA

---

45022SE0528 HONDA

---

45022SE0G10 HONDA

---

45022SL5000 HONDA

---

45022SL5010 HONDA

---

45022SL5020 HONDA

---

45022SL5408 HONDA

---

45022SN7G40 HONDA

---

45022SN7G41 HONDA

---

45022SN7G42 HONDA

---

45022SN7Y40 HONDA

---

45022SS0000 HONDA

---

45022SS0505 HONDA

---

45022SS0508 HONDA

---

45022SS0515 HONDA

---

45022SS0518 HONDA

---

45022SS0525 HONDA

---

45022SS0528 HONDA

---

45022SS0G10 HONDA

---

45022SS2408 HONDA

---

H4502S30003 HONDA

---

AY040HN009 NISSAN

---

GBP90330AF ROVER

---

GBP90338 ROVER

---

GBP90338AF ROVER

---