



BRAKE PAD

P 41 001

The P 41 001 brake pad is synonymous with reliability

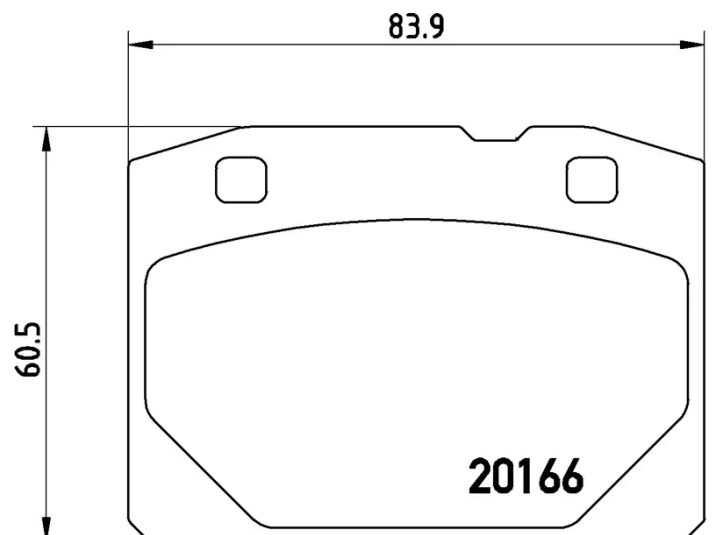
The Brembo brake pad guarantees ultimate safety when braking thanks to the use of more than 100 different compounds, designed according to the type of vehicle and use. Stopping distances reduced to a minimum, maximum driving comfort and silent operation are the most important features of Brembo materials. Brembo brake pads are supplied together with an extensive range of accessories and assembly kits for professional-standard installation.



- ✓ OE-equivalent
- ✓ Brembo quality
- ✓ ECE-R90 certificate
- ✓ Safety
- ✓ Performance
- ✓ Comfort

Technical specifications

EAN code	Axle	Thickness
8020584053195	Front	16 mm
Width	Height	Braking system
84 mm	61 mm	Bendix
Wear indicator	WVA number	Accessories
Without	20166	With anti-squeal shim



COMPATIBLE VEHICLES

COMPATIBLE OE PART NUMBERS

4208932	FIAT
---------	------

21010350180082	LADA
----------------	------

21013501089	LADA
-------------	------

21013501090	LADA
-------------	------

2101350109001	LADA
---------------	------

2101350109002	LADA
---------------	------

2101350109060	LADA
---------------	------

210135011090	LADA
--------------	------

21013501210A	LADA
--------------	------

SP1199	LADA
--------	------