



BRAKE PAD

P 52 002

The P 52 002 brake pad is synonymous with reliability

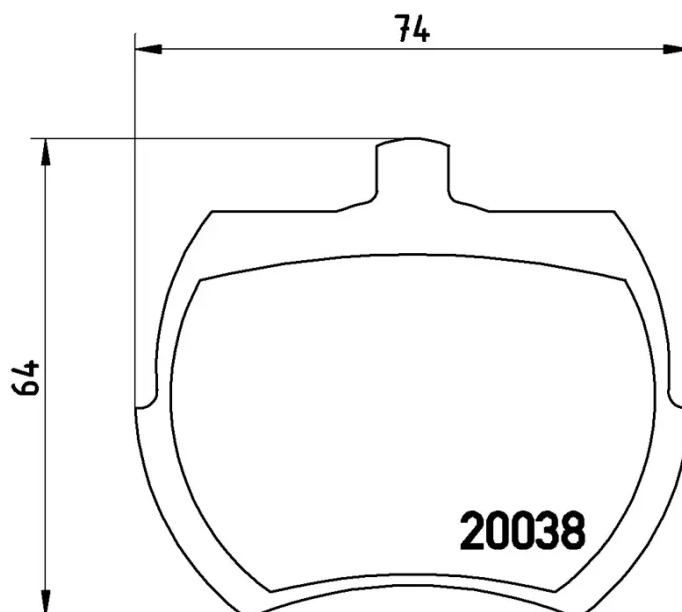
The Brembo brake pad guarantees ultimate safety when braking thanks to the use of more than 100 different compounds, designed according to the type of vehicle and use. Stopping distances reduced to a minimum, maximum driving comfort and silent operation are the most important features of Brembo materials. Brembo brake pads are supplied together with an extensive range of accessories and assembly kits for professional-standard installation.



- ✓ OE-equivalent
- ✓ Brembo quality
- ✓ ECE-R90 certificate
- ✓ Safety
- ✓ Performance
- ✓ Comfort

Technical specifications

EAN code	Axle	Thickness
8020584054321	Front	14 mm
Width	Height	Braking system
74 mm	64 mm	Lockheed
Wear indicator	WVA number	Accessories
Without	20038	With anti-squeal shim



COMPATIBLE VEHICLES

COMPATIBLE OE PART NUMBERS

GBP177 AUSTIN

GBP213 AUSTIN

GBP281 AUSTIN

GBP90213 AUSTIN

GBP90297 AUSTIN

GBP90307 AUSTIN

0006557206113 INNOCENTI

53721111 INNOCENTI

577201112 INNOCENTI

6557206113 INNOCENTI

GBP104 MG

GBP108 MG

CDU3030EVA ROVER

GBP90177 ROVER

GBP90307AF ROVER

GBP233 TRIUMPH

91014519 VAUXHALL
