



# BRAKE PAD

## P 85 042

The P 85 042 brake pad is synonymous with reliability

The Brembo brake pad guarantees ultimate safety when braking thanks to the use of more than 100 different compounds, designed according to the type of vehicle and use. Stopping distances reduced to a minimum, maximum driving comfort and silent operation are the most important features of Brembo materials. Brembo brake pads are supplied together with an extensive range of accessories and assembly kits for professional-standard installation.

- ✓ OE-equivalent
- ✓ Brembo quality
- ✓ ECE-R90 certificate
- ✓ Safety
- ✓ Performance
- ✓ Comfort
- ✓ With accessories

### Technical specifications

EAN code  
**8020584058459**

Axle  
**Front**

Thickness  
**20 mm**

Width  
**119 mm**

Height  
**70 mm**



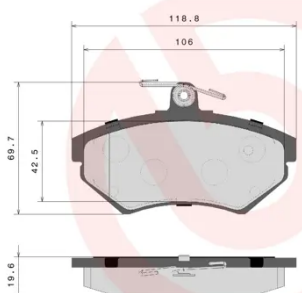
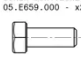
Braking system  
**Lucas**

Wear indicator  
**Without**

WVA number  
**21945**

Accessories  
**With accessories**  
**With anti-squeal shim**  
**With brake caliper bolts**



	<b>P 85 042</b>		407.E672.330
			SCREW M8x1.25x21 05.E659.000 - x2 
WVA: 21945 QTY: x4			
<small>DATE : 09/09/2022 VERSION : 00</small>			

COMPATIBLE VEHICLES

## COMPATIBLE OE PART NUMBERS

8E0698151	AUDI
-----------	------

8E0698151A	AUDI
------------	------

8E0698151N	AUDI
------------	------

8E0698151	SEAT
-----------	------

8E0698151A	SEAT
------------	------

8E0698151N	SEAT
------------	------

8E0698151	SKODA
-----------	-------

8E0698151A	SKODA
------------	-------

8E0698151N	SKODA
------------	-------

8E0698151	VW
-----------	----

8E0698151A	VW
------------	----

8E0698151N	VW
------------	----