



# BRAKE PAD

## P B1 001

The P B1 001 brake pad is synonymous with reliability

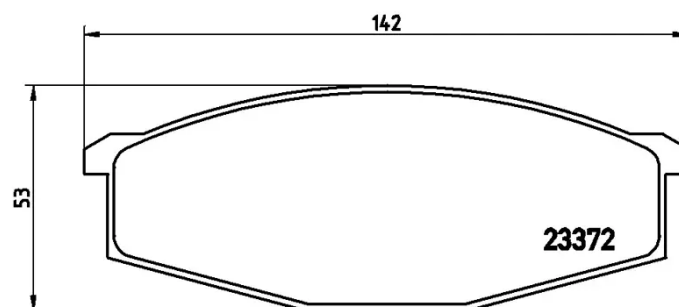
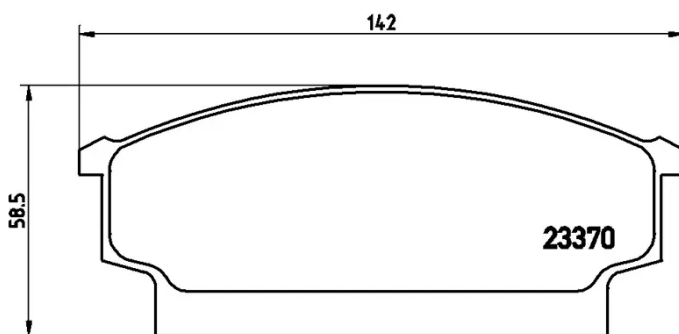
The Brembo brake pad guarantees ultimate safety when braking thanks to the use of more than 100 different compounds, designed according to the type of vehicle and use. Stopping distances reduced to a minimum, maximum driving comfort and silent operation are the most important features of Brembo materials. Brembo brake pads are supplied together with an extensive range of accessories and assembly kits for professional-standard installation.

- ✓ OE-equivalent
- ✓ Brembo quality
- ✓ ECE-R90 certificate
- ✓ Safety
- ✓ Performance
- ✓ Comfort



### Technical specifications

EAN code	Axle	Thickness
<b>8020584062708</b>	<b>Front</b>	<b>15 mm</b>
Width	Height	Braking system
<b>142 mm</b>	<b>53 mm</b>	<b>Sumitomo</b>
Wear indicator	WVA number	Accessories
<b>Without</b>	<b>23370</b>	<b>With anti-squeal shim</b>



## COMPATIBLE OE PART NUMBERS

4106001F87 NISSAN

---

4106006F86 NISSAN

---

4106031E25 NISSAN

---

41060D1485 NISSAN

---

41060D1485KE NISSAN

---

41060D1487 NISSAN

---

41060D1488 NISSAN

---

41060D1490 NISSAN

---

41060F5029 NISSAN

---

41060T6490 NISSAN

---

41060T7891 NISSAN

---

41060T7892 NISSAN

---

41060W2225 NISSAN

---

41060W2285 NISSAN

---

41060W2726 NISSAN

---

41060W2727 NISSAN

---

D106001F87 NISSAN

---

D106006F86 NISSAN

---

D106MS2226 NISSAN

---

DA060D1485 NISSAN

---

DA060D1485KE NISSAN

---

DA06MD1485 NISSAN

---