



BRAKE DISC

08.A869.10

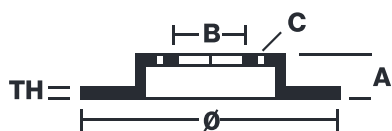
The **08.A869.10** brake disc is synonymous with reliability

The Brembo brake disc is fully interchangeable with an Original Equipment brake disc. The control of the entire production cycle allows Brembo to offer brake discs with outstanding performance levels, reliability, durability and comfort in all conditions of use. All Brembo brake discs are accompanied by the ECE-R90 homologation.

- ✓ OE-equivalent
- ✓ Brembo quality
- ✓ ECE-R90 certificate
- ✓ Safety
- ✓ Fastening screws



Technical specifications



EAN code
8020584024447

Axle
Rear

Diameter \varnothing
262 mm

Thickness (TH)
10 mm

Height (A)
61 mm

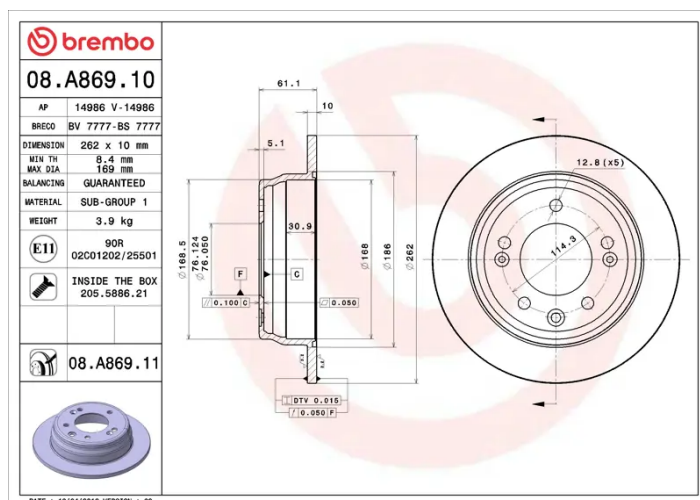
Number of holes (C)
5

Brake disc type
Solid

Centering (B)
76 mm

Min. thickness
8,4 mm

Tightening torque
100 Nm



COMPATIBLE VEHICLES

COMPATIBLE OE PART NUMBERS

584111H100	HYUNDAI
584111H300	HYUNDAI
584111H300	HYUNDAI (BEIJING)
5841156000	HYUNDAI (BEIJING)
584111H100	KIA
584111H300	KIA
5584111H300	KIA
5584111H300A	KIA
584111H300	KIA (DYK)
5841156000	KIA (DYK)