



BRAKE DISC

08.C742.37

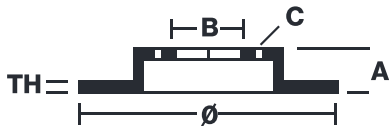
The **08.C742.37** brake disc is synonymous with reliability

The Brembo brake disc is fully interchangeable with an Original Equipment brake disc. The control of the entire production cycle allows Brembo to offer brake discs with outstanding performance levels, reliability, durability and comfort in all conditions of use. All Brembo brake discs are accompanied by the ECE-R90 homologation.

- ✓ OE-equivalent
- ✓ Brembo quality
- ✓ ECE-R90 certificate
- ✓ Safety
- ✓ Fastening screws
- ✓ Bearing kit



Technical specifications



EAN code
8020584237878

Axle
Rear

Diameter \varnothing
290 mm

Thickness (TH)
11 mm

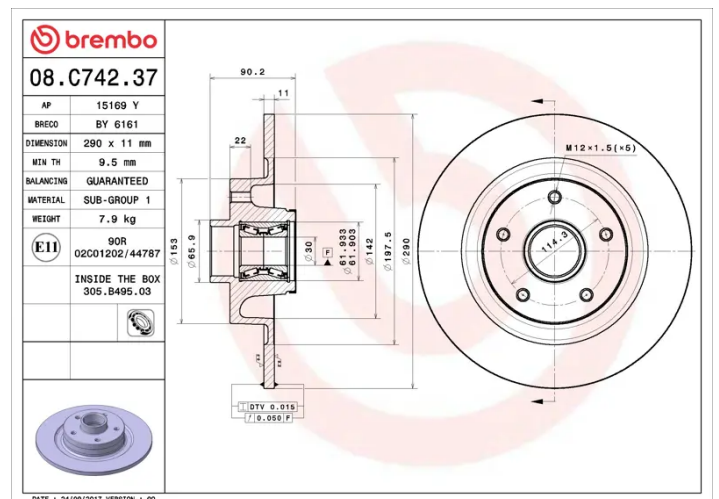
Height (A)
90 mm

Number of holes (C)
5

Brake disc type
Solid

Centering (B)
30 mm

Min. thickness
9,5 mm



COMPATIBLE VEHICLES

COMPATIBLE OE PART NUMBERS

402020536R	RENAULT
------------	---------

432020016R	RENAULT
------------	---------

432021892R	RENAULT
------------	---------

432028136R	RENAULT
------------	---------

8660003522	RENAULT
------------	---------
