



BRAKE DISC

09.5857.14

The **09.5857.14** brake disc is synonymous with reliability

The Brembo brake disc is fully interchangeable with an Original Equipment brake disc. The control of the entire production cycle allows Brembo to offer brake discs with outstanding performance levels, reliability, durability and comfort in all conditions of use. All Brembo brake discs are accompanied by the ECE-R90 homologation.

- ✓ OE-equivalent
- ✓ Brembo quality
- ✓ ECE-R90 certificate
- ✓ Safety



Technical specifications



EAN code
8020584012932

Axle
Front

Diameter Ø
231 mm

Thickness (TH)
17 mm

Height (A)
50 mm

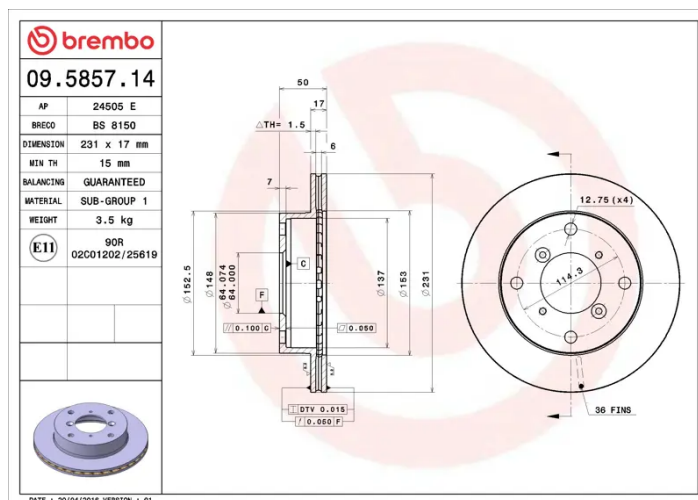
Number of holes (C)
4

Brake disc type
Ventilated

Centering (B)
64 mm

Min. thickness
15 mm

Tightening torque
85 Nm



COMPATIBLE VEHICLES

COMPATIBLE OE PART NUMBERS

96067908	CHEVROLET
----------	-----------

5531180F00	SUBARU
------------	--------

5531180F01	SUBARU
------------	--------

5531180F02	SUBARU
------------	--------

5531180F03	SUBARU
------------	--------

5531160B20	SUZUKI
------------	--------

5531160B21	SUZUKI
------------	--------

5531160B22	SUZUKI
------------	--------

5531160B30	SUZUKI
------------	--------

5531180F00	SUZUKI
------------	--------

5531180F01	SUZUKI
------------	--------

5531180F02	SUZUKI
------------	--------

5531180F03	SUZUKI
------------	--------

55311M72F00	SUZUKI
-------------	--------