



BRAKE DISC FLOATING

09.A190.33

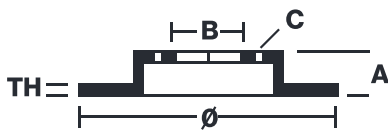
Floating brake disc 09.A190.33 belongs to Brembo Premium Line

The Brembo Floating brake disc features an aluminium hat and a special cast-iron braking surface, connected by means of fixing bushes. These technical features ensure a significant reduction in unsprung mass, which has a positive effect on the comfort and handling of the car for superior braking performance.

- ✓ OE-equivalent
- ✓ Brembo quality
- ✓ ECE-R90 certificate
- ✓ Weight reduction
- ✓ High carbon
- ✓ Bi-Material Brake Disc
- ✓ Anti-corrosion
- ✓ PVT ventilation
- ✓ Fading resistance



Technical specifications



EAN code
8020584231845

Axle
Rear

Diameter Ø
380 mm

Thickness (TH)
30 mm

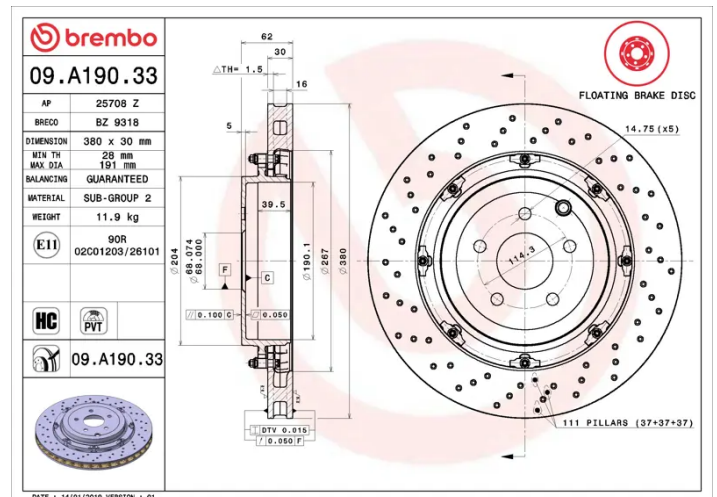
Height (A)
62 mm

Number of holes (C)
5

Brake disc type
Ventilated

Centering (B)
68 mm

Min. thickness
28 mm



COMPATIBLE VEHICLES

COMPATIBLE OE PART NUMBERS

4320662B0A

NISSAN
