



BRAKE DISC

09.A296.14

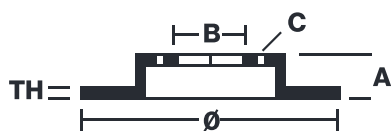
The **09.A296.14** brake disc is synonymous with reliability

The Brembo brake disc is fully interchangeable with an Original Equipment brake disc. The control of the entire production cycle allows Brembo to offer brake discs with outstanding performance levels, reliability, durability and comfort in all conditions of use. All Brembo brake discs are accompanied by the ECE-R90 homologation.

- ✓ OE-equivalent
- ✓ Brembo quality
- ✓ ECE-R90 certificate
- ✓ Safety
- ✓ Fastening screws



Technical specifications



EAN code **8020584017005** Axle **Front and rear**

Thickness (TH) **22 mm** Height (A) **47 mm**

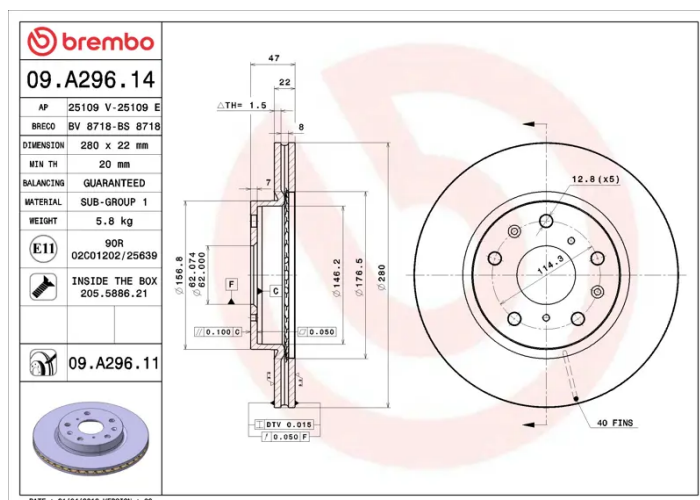
Brake disc type **Ventilated** Centering (B) **62 mm**

Tightening torque **86 Nm**

Diameter \varnothing **280 mm**

Number of holes (C) **5**

Min. thickness **20 mm**



COMPATIBLE VEHICLES

COMPATIBLE OE PART NUMBERS

71742850	FIAT
71750162	FIAT
71768306	FIAT
432063SC0B	NISSAN
5531156K00000	SUZUKI
5531179J01	SUZUKI
5531179J02	SUZUKI
5531179J03	SUZUKI
5531180J01	SUZUKI
5531180J02	SUZUKI
5531180J03	SUZUKI
5531156K00000	SUZUKI (CHANGAN)