



BRAKE DISC

09.A455.14

The **09.A455.14** brake disc is synonymous with reliability

The Brembo brake disc is fully interchangeable with an Original Equipment brake disc. The control of the entire production cycle allows Brembo to offer brake discs with outstanding performance levels, reliability, durability and comfort in all conditions of use. All Brembo brake discs are accompanied by the ECE-R90 homologation.

- ✓ OE-equivalent
- ✓ Brembo quality
- ✓ ECE-R90 certificate
- ✓ Safety
- ✓ Fastening screws



Technical specifications



EAN code
8020584018040

Axle
Front

Diameter Ø
282 mm

Thickness (TH)
23 mm

Height (A)
47 mm

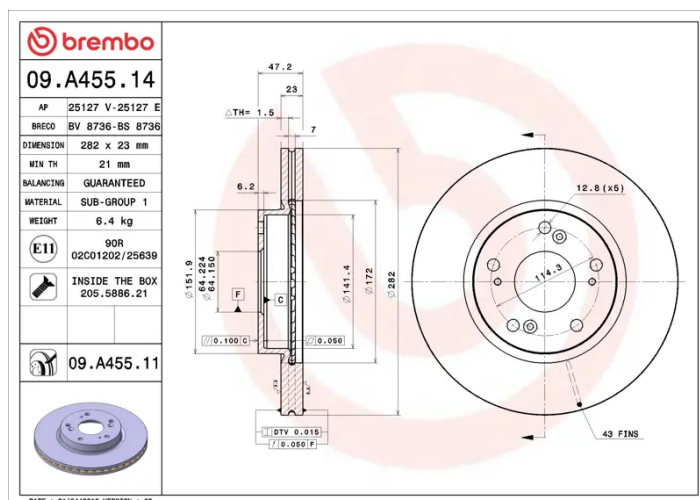
Number of holes (C)
5

Brake disc type
Ventilated

Centering (B)
64 mm

Min. thickness
21 mm

Tightening torque
108 Nm



COMPATIBLE VEHICLES

COMPATIBLE OE PART NUMBERS

45251SNVH00	CIIMO
45251S7AE10	HONDA
45251S7AE11	HONDA
45251SMGE30	HONDA
45251SMGE31	HONDA
45251SMGG10	HONDA
45251SMGG11	HONDA
45251SNLT60	HONDA
45251TEAT00	HONDA
45251TR0E00	HONDA
45251SNVH00	HONDA (DONGFENG)
45251SNVH00	HONDA (GAC)