



BRAKE DISC PAINTED

09.C064.11

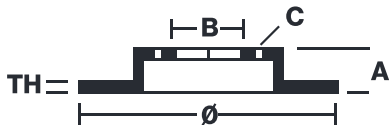
The 09.C064.11 painted brake disc is synonymous with reliability

The Brembo brake disc with special UV paint treatment guarantees superior corrosion resistance for the product, thanks to the protective coating on the outer edges and on the disc hub. The UV paint not only gives the disc a clean, shiny appearance but is also beneficial for the environment as the water-based UV paint treatment does not require the use of chemical solvents and is a low energy consumption process.

- ✓ OE-equivalent
- ✓ Brembo quality
- ✓ ECE-R90 certificate
- ✓ Safety
- ✓ High carbon
- ✓ Anti-corrosion
- ✓ PVT ventilation
- ✓ Fastening screws



Technical specifications



EAN code
8020584228012

Axle
Front

Diameter Ø
330 mm

Thickness (TH)
32 mm

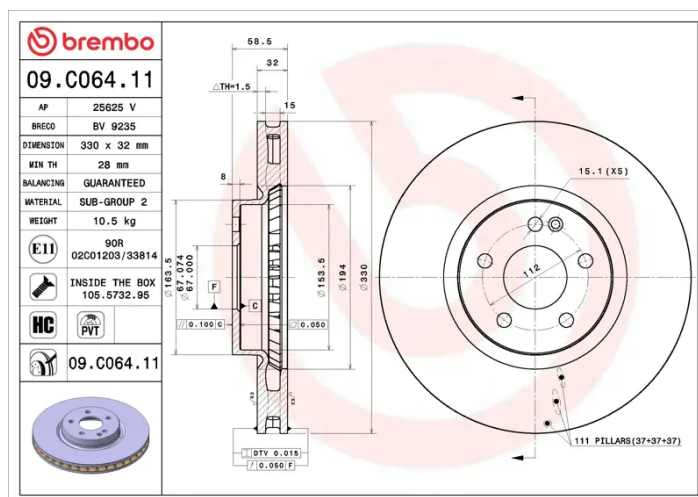
Height (A)
59 mm

Number of holes (C)
5

Brake disc type
Ventilated

Centering (B)
67 mm

Min. thickness
28 mm



COMPATIBLE OE PART NUMBERS

4474210012	MERCEDES-BENZ
447421001207	MERCEDES-BENZ
4474210412	MERCEDES-BENZ
A4474210012	MERCEDES-BENZ
A4474210412	MERCEDES-BENZ
4474210012	MERCEDES-BENZ (FJDA)
A4484210600	MERCEDES-BENZ (FJDA)