



# BRAKE DISC COMPOSITE

## 09.C410.13

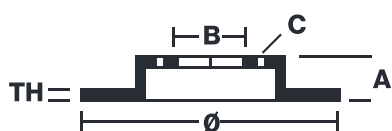
Composite brake disc 09.C410.13 belongs to Brembo Premium Line

The Composite brake disc is dedicated to the highest-performance BMW applications and is perfectly interchangeable with the original disc. It has an aluminium hat connected to the special cast iron braking surface by steel pins. This solution makes the disc lighter for improved handling of the car.



- ✓ OE-equivalent
- ✓ Brembo quality
- ✓ ECE-R90 certificate
- ✓ Weight reduction
- ✓ High carbon
- ✓ Bi-Material Brake Disc
- ✓ Anti-corrosion
- ✓ Fastening screws
- ✓ Fading resistance

### Technical specifications



EAN code  
**8020584039342**

Axle  
**Front**

Diameter  $\varnothing$   
**330 mm**

Thickness (TH)  
**24 mm**

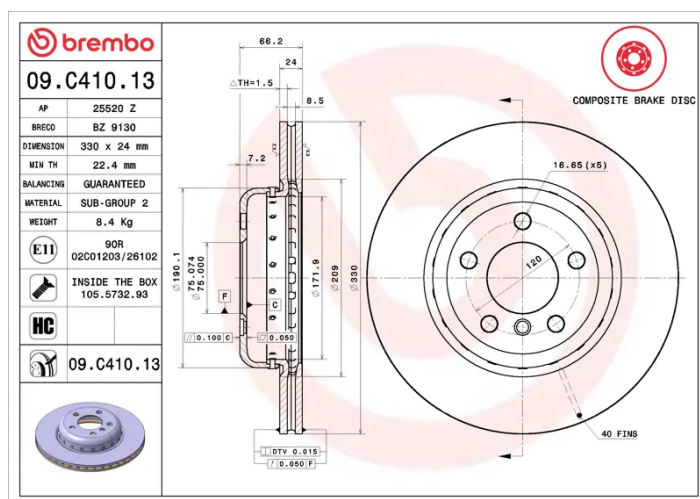
Height (A)  
**66 mm**

Number of holes (C)  
**5**

Brake disc type  
**Ventilated**

Centering (B)  
**75 mm**

Min. thickness  
**22,4 mm**



## COMPATIBLE OE PART NUMBERS

34116794429

BMW

---

34116896652

BMW

---