



BRAKE DISC PAINTED

09.D608.11

The 09.D608.11 painted brake disc is synonymous with reliability

The Brembo brake disc with special UV paint treatment guarantees superior corrosion resistance for the product, thanks to the protective coating on the outer edges and on the disc hub. The UV paint not only gives the disc a clean, shiny appearance but is also beneficial for the environment as the water-based UV paint treatment does not require the use of chemical solvents and is a low energy consumption process.

- ✓ OE-equivalent
- ✓ Brembo quality
- ✓ ECE-R90 certificate
- ✓ Safety
- ✓ High carbon
- ✓ Anti-corrosion



Technical specifications



EAN code
8020584317686

Axle
Front

Diameter \varnothing
321 mm

Thickness (TH)
28 mm

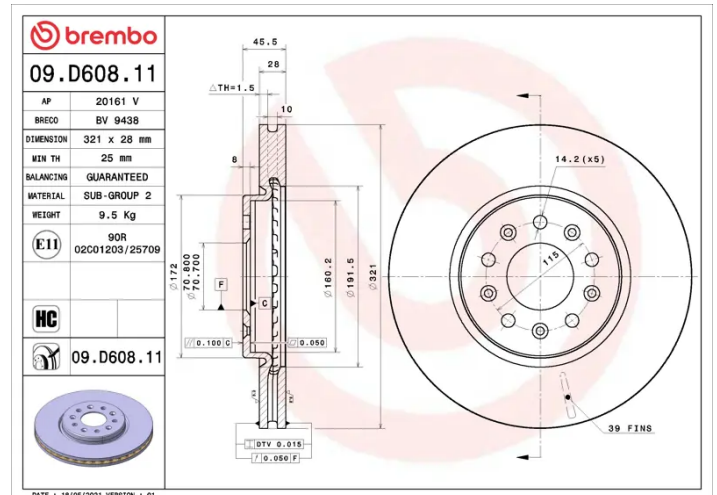
Height (A)
46 mm

Number of holes (C)
5

Brake disc type
Ventilated

Centering (B)
71 mm

Min. thickness
25 mm



COMPATIBLE VEHICLES

COMPATIBLE OE PART NUMBERS

13518653	BUICK
13517847	BUICK (SGM)
13583718	BUICK (SGM)
13518653	CADILLAC (SGM)
13518653	CHEVROLET
13517847	CHEVROLET (SGM)
13518653	GMC
13517853	OPEL
13521005	OPEL
13517853	VAUXHALL
13521005	VAUXHALL