



DRUM

14.5073.10

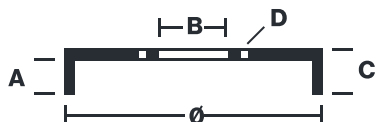
The 14.5073.10 drum is synonymous with reliability

Brembo has developed several design solutions for drum brakes which combine multiple materials to reduce the overall weight. The most popular range of lamellar graphite cast iron drums is supplemented by cast iron drums with a steel sprocket flange and aluminium drums, whereby only the inner part of the drum on which the shoes operate are made of lamellar cast iron, namely the brake band. Additionally drums with built-in bearing kit and hub are added to this range.

- ✓ OE-equivalent
- ✓ Brembo quality
- ✓ Safety
- ✓ Durability



Technical specifications



EAN code
8020584507315

Axle
Rear

Diameter
260 mm

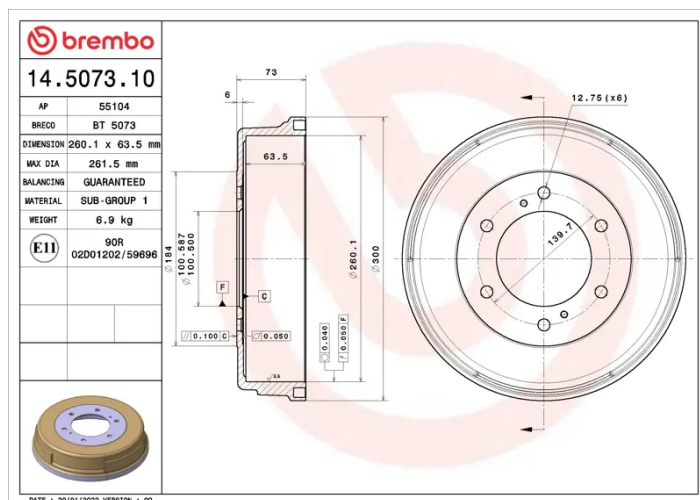
Width
63,5 mm

Height
73

Number of holes
6

Centering
100,5 mm

Max diameter
261,5 mm



COMPATIBLE VEHICLES

COMPATIBLE OE PART NUMBERS

4320608G11	NISSAN
------------	--------

4320635510	NISSAN
------------	--------

43206VG300	NISSAN
------------	--------

43206VM00B	NISSAN
------------	--------
