



# BRAKE PAD PRIME CERAMIC P07012N

The P07012N NAO brake pad is synonymous with reliability

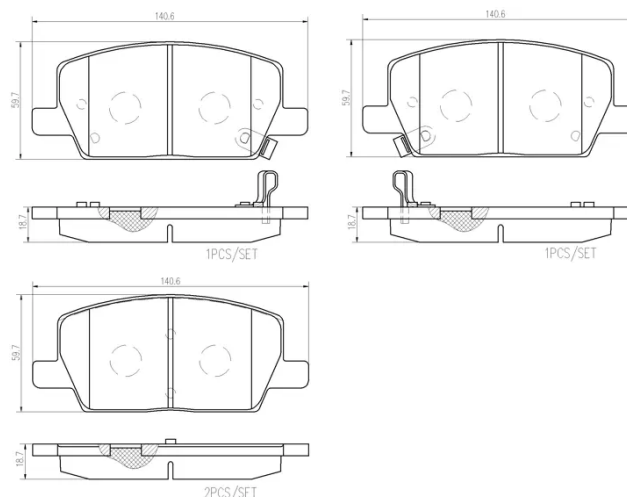
Brembo NAO brake pads stand out for their ultimate braking comfort, reduced friction wear and low dust mission, which makes for cleaner rims and reduced maintenance requirements. The advanced friction material in keeping with the strictest environmental standards is the main distinguishing feature of NAO compounds.

- ✓ OE-equivalent
- ✓ Brembo quality
- ✓ Safety
- ✓ Comfort
- ✓ Durability
- ✓ Dust reduction
- ✓ With accessories



## Technical specifications

EAN code <b>8020584116128</b>	Axle <b>Front</b>	Thickness <b>19 mm</b>
Width <b>141 mm</b>	Height <b>60 mm</b>	Braking system <b>Mando</b>
Wear indicator <b>Acoustic</b>	WVA number <b>22312,22313,22311</b>	Accessories <b>With anti-squeal shim</b>



COMPATIBLE VEHICLES

## COMPATIBLE OE PART NUMBERS

23321903	BUICK
42672635	BUICK
23145357	BUICK (SGM)
42566748	BUICK (SGM)
42672635	CHEVROLET
23321903	GMC
42566748	OPEL
42566753	OPEL
84720014	OPEL
84856629	OPEL
42566753	VAUXHALL