



BRAKE PAD PRIME CERAMIC P09029N

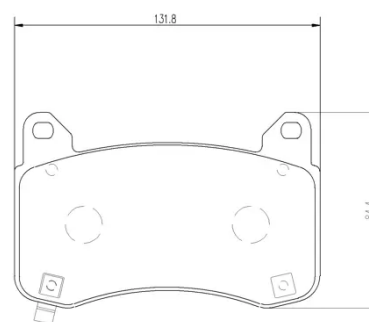
The P09029N NAO brake pad is
synonymous with reliability

Brembo NAO brake pads stand out for their ultimate braking comfort, reduced friction wear and low dust mission, which makes for cleaner rims and reduced maintenance requirements. The advanced friction material in keeping with the strictest environmental standards is the main distinguishing feature of NAO compounds.

- ✓ OE-equivalent
- ✓ Brembo quality
- ✓ Safety
- ✓ Comfort
- ✓ Durability
- ✓ Dust reduction
- ✓ With accessories

Technical specifications

EAN code	Axle	Thickness
8020584119013	Front	16 mm
Width	Height	Braking system
132 mm	84 mm	Brembo
Wear indicator	WVA number	Accessories
Acoustic	26152	With anti-squeal shim



COMPATIBLE VEHICLES

COMPATIBLE OE PART NUMBERS

800824200A	TESLA
------------	-------

800824200B	TESLA
------------	-------

800824200C	TESLA
------------	-------

800824200D	TESLA
------------	-------

800824300A	TESLA
------------	-------

800824300B	TESLA
------------	-------

800828400B	TESLA
------------	-------

800828500A	TESLA
------------	-------