



BRAKE PAD PRIME CERAMIC P10001N

The P10001N NAO brake pad is synonymous with reliability

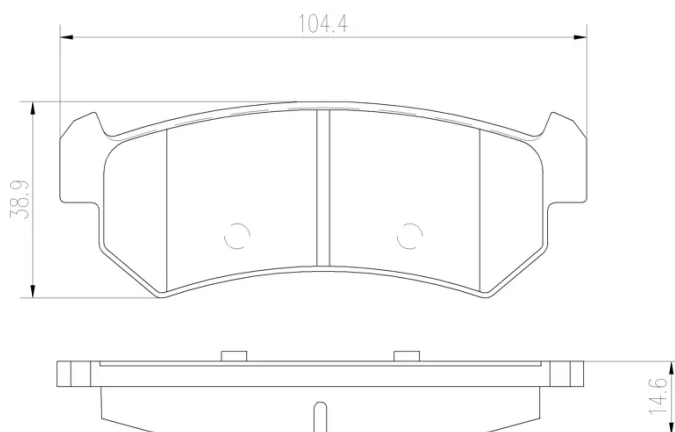
Brembo NAO brake pads stand out for their ultimate braking comfort, reduced friction wear and low dust mission, which makes for cleaner rims and reduced maintenance requirements. The advanced friction material in keeping with the strictest environmental standards is the main distinguishing feature of NAO compounds.

- ✓ OE-equivalent
- ✓ Brembo quality
- ✓ Safety
- ✓ Comfort
- ✓ Durability
- ✓ Dust reduction
- ✓ With accessories



Technical specifications

EAN code 8020584085684	Axle Rear	Thickness 15 mm
Width 104 mm	Height 39 mm	Braking system Sumitomo
Wear indicator Without	WVA number 24071	Accessories With anti-squeal shim



4 PCS/SET

COMPATIBLE VEHICLES

COMPATIBLE OE PART NUMBERS

96405131	CHEVROLET
5550085Z00	SUZUKI
5550085Z00000	SUZUKI