



# BRAKE PAD PRIME CERAMIC P18025N

The P18025N NAO brake pad is synonymous with reliability

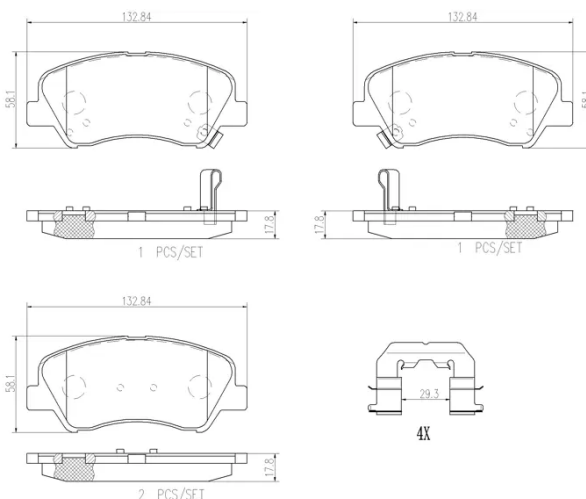
Brembo NAO brake pads stand out for their ultimate braking comfort, reduced friction wear and low dust mission, which makes for cleaner rims and reduced maintenance requirements. The advanced friction material in keeping with the strictest environmental standards is the main distinguishing feature of NAO compounds.

- ✓ OE-equivalent
- ✓ Brembo quality
- ✓ Safety
- ✓ Comfort
- ✓ Durability
- ✓ Dust reduction
- ✓ With accessories



## Technical specifications

EAN code <b>8020584082416</b>	Axle <b>Front</b>	Thickness <b>18 mm</b>
Width <b>133 mm</b>	Height <b>58 mm</b>	Braking system <b>Mando</b>
Wear indicator <b>Acoustic</b>	WVA number <b>25348,25349,25350</b>	Accessories <b>With anti-squeal shim</b>



COMPATIBLE VEHICLES

## COMPATIBLE OE PART NUMBERS

106400172401	EMGRAND
106400172402	EMGRAND
1014026444	GEELY
1014029388	GEELY
4048003200	GEELY
4048008200	GEELY
4048059400	GEELY
8889939601	GEELY
581011RA00	HYUNDAI
581011RA05	HYUNDAI
581011RA10	HYUNDAI
581011VA00	HYUNDAI
581014LA00	HYUNDAI
58101C7A00	HYUNDAI
58101R1A30	HYUNDAI
581010UA00	HYUNDAI (BEIJING)
581010UA50	HYUNDAI (BEIJING)
58101BUA00	HYUNDAI (BEIJING)
58101J1A10	HYUNDAI (BEIJING)
58101S6A00	HYUNDAI (BEIJING)
1360212006K	KIA
581011RA01	KIA
581011WA00	KIA
581011WA05	KIA
581011WA35	KIA
581014LA00	KIA
58101H8A00	KIA
S581011WA05	KIA
S581011WA35	KIA
581010UA00	KIA (DYK)
58101B5A00	KIA (DYK)
58101K8A00	KIA (DYK)