



BRAKE PAD PRIME CERAMIC P30063N

The P30063N NAO brake pad is synonymous with reliability

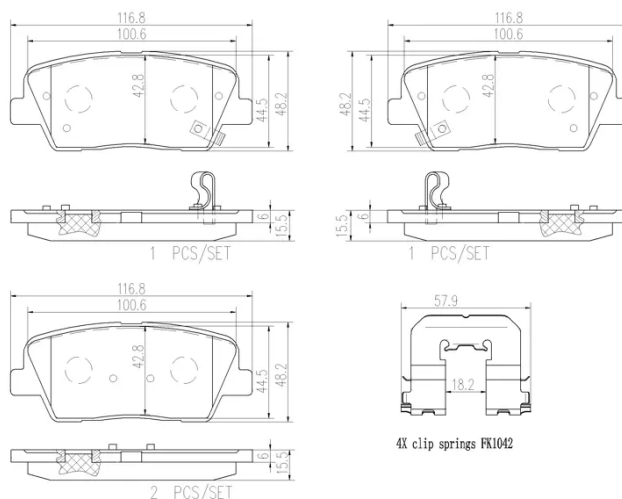
Brembo NAO brake pads stand out for their ultimate braking comfort, reduced friction wear and low dust mission, which makes for cleaner rims and reduced maintenance requirements. The advanced friction material in keeping with the strictest environmental standards is the main distinguishing feature of NAO compounds.

- ✓ OE-equivalent
- ✓ Brembo quality
- ✓ Safety
- ✓ Comfort
- ✓ Durability
- ✓ Dust reduction
- ✓ With accessories



Technical specifications

EAN code 8020584081471	Axle Rear	Thickness 15 mm
Width 117 mm	Height 48 mm	Braking system Mando
Wear indicator Acoustic	WVA number 25520,25521,25522	Accessories With anti-squeal shim



COMPATIBLE VEHICLES

COMPATIBLE OE PART NUMBERS

583020WA00	HYUNDAI
583022BA50	HYUNDAI
583022MA00	HYUNDAI
583022PA70	HYUNDAI
583022WA00	HYUNDAI
583022WA01	HYUNDAI
583022WA30	HYUNDAI
583022WA70	HYUNDAI
583023MA00	HYUNDAI
583023MA01	HYUNDAI
583023NA00	HYUNDAI
583023NA91	HYUNDAI
583024DU02	HYUNDAI
58302A1A00	HYUNDAI
58302B1A43	HYUNDAI
583022PA70	HYUNDAI
58302A1A00	HYUNDAI (BEIJING)
583020WA00	KIA
583021UA50	KIA
583022JA00	KIA
583022JA10	KIA
583022PA70	KIA
583022WA01	KIA
583023NA00	KIA
58302J5A05	KIA
58302C0A00	KIA (DYK)
48413380B0	SSANGYONG