



BRAKE PAD PRIME CERAMIC P30121N

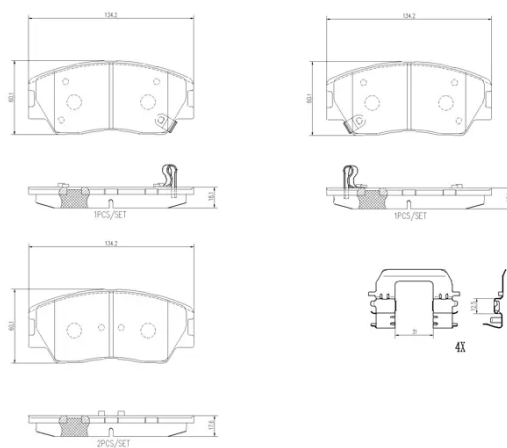
The P30121N NAO brake pad is synonymous with reliability

Brembo NAO brake pads stand out for their ultimate braking comfort, reduced friction wear and low dust mission, which makes for cleaner rims and reduced maintenance requirements. The advanced friction material in keeping with the strictest environmental standards is the main distinguishing feature of NAO compounds.

- ✓ OE-equivalent
- ✓ Brembo quality
- ✓ Safety
- ✓ Comfort
- ✓ Durability
- ✓ Dust reduction
- ✓ With accessories

Technical specifications

EAN code 8020584119174	Axle Front	Thickness 18 mm
Width 134 mm	Height 60 mm	
Wear indicator Acoustic	WVA number 26224,26225,26226	Accessories With anti-squeal shim



COMPATIBLE VEHICLES

COMPATIBLE OE PART NUMBERS

58101J2A00	KIA
58101J2A10	KIA
58101K0A10	KIA