



BRAKE PAD PRIME CERAMIC P52018N

The P52018N NAO brake pad is
synonymous with reliability

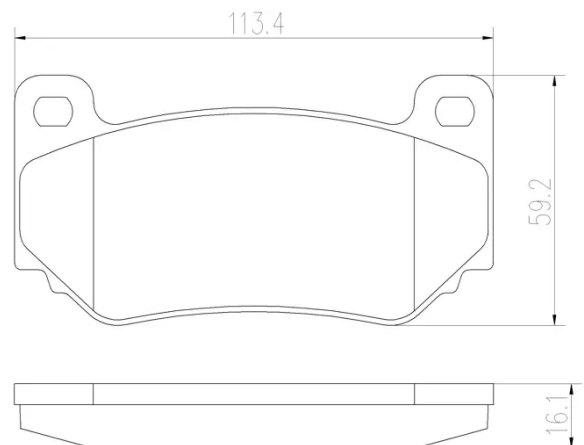
Brembo NAO brake pads stand out for their ultimate braking comfort, reduced friction wear and low dust mission, which makes for cleaner rims and reduced maintenance requirements. The advanced friction material in keeping with the strictest environmental standards is the main distinguishing feature of NAO compounds.

- ✓ OE-equivalent
- ✓ Brembo quality
- ✓ Safety
- ✓ Comfort
- ✓ Durability
- ✓ Dust reduction
- ✓ With accessories



Technical specifications

EAN code	Axle	Thickness
8020584089118	Front	16 mm
Width	Height	Braking system
113 mm	59 mm	Lockheed
Wear indicator	WVA number	Accessories
Without	23679	With anti-squeal shim



4 PCS/SET

COMPATIBLE VEHICLES

COMPATIBLE OE PART NUMBERS

CP760010 MG

SFP000170 MG

SFP000310 MG

SFP000311 MG
